

LongLife No Frost Side by Side Refrigerator 193cm with 4 doors and inverter motor



Motor Inverter



On Holidays function



Fresh Box



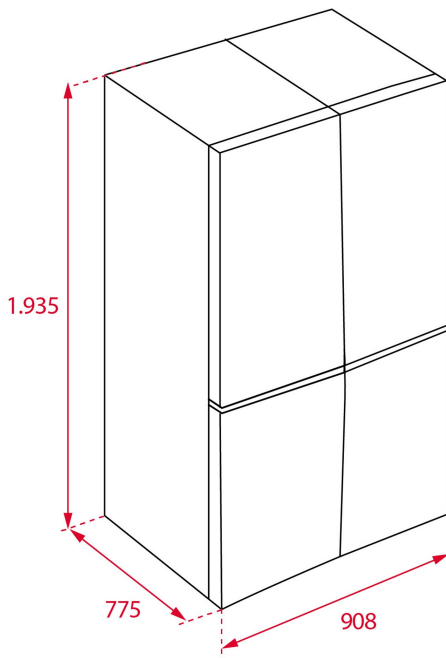
IonClean Technology



LED



LongLife No Frost



REFERENCE

REF: 113430009

EAN: 8434778003888

FEATURES

Free Standing side by side refrigerator
 LongLife No Frost with 3 independent circuits
 IonClean technology
 Inverter motor
 Outer control display
 Electronic adjustable thermostat
 FreshBox drawers
 Safety glass shelves
 On holidays function
 Fast freezing and fast cooling function
 Front adjustable feet
 LED Illumination
 Climate class: SN/N/ST/T
 Total capacity (gross/net): 648 / 637 litres
 2 Ice cube trays and twister ice maker included

DIMENSIONS

Product height (mm): 1935

Product width (mm): 908

Product depth (mm): 775 (762)

Product length (mm):

Net weight (Kg): 133

TECH SPECS

Energy efficiency class (UE 2019/2016): E

Climate Class: N/T

Energy Consumption (Kw/day): 1,04

Annual Consumption (kWh/year): 380

Freezing Capacity: 15,0

Noise Level (dBA): 43

Power rate (V): 220-240

Frequency (Hz): 50

COLOURS



113430009

Stainless Steel