



MultiSlider



Autolock



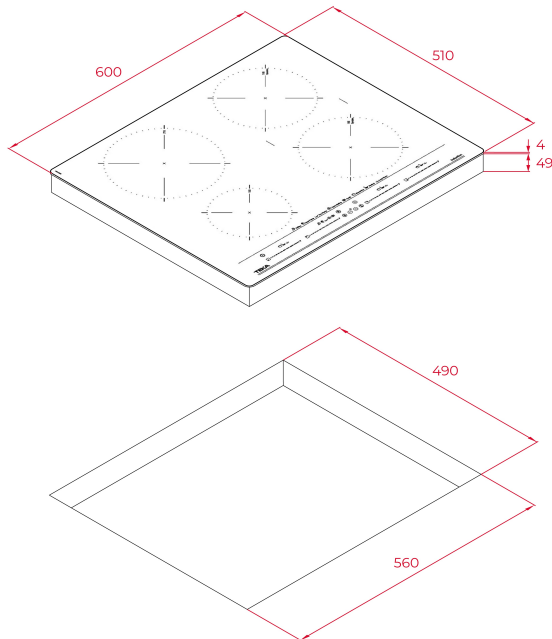
Power



Power Plus



Easy installation



REFERENCE

REF: 112500027

EAN: 8434778011777

FEATURES

Urban Colors Edition

MasterSense Series

Induction hob

Direct functions with temperature sensors: Confit, grilling, pan frying, deep frying, quick boiling, simmering, melting and keep warm

Touch Control MultiSlider

4 cooking zones

1 zone Ø 215 mm

1 zone Ø 185 mm

2 zones Ø 150 mm

Ceramic glass surface

Auto-lock safety system

Cooking timer

Power plus

Child lock

Residual heat indicator

Power management

Easy installation kit

Maximum nominal power 7200 W

Optional: Grilling plate

Optional: Teppanyaki

DIMENSIONS

Product height (mm): 53**Product width (mm):** 600**Product depth (mm):** 510**Product length (mm):****Net weight (Kg):** 10,7

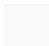

TECHNICAL DETAILS

Power rate (V): 220-240

Frequency (Hz): 50/60

Maximum Nominal Power (W): -

COLOURS

	112500027	White
	112500022	Steam grey
	112500022	Stone grey
	112500022	London brick brown
	112500022	Black glass

ENERGY EFFICIENCY

Power consumption in standby mode (W): 0.4

Time to reach standby mode (min): 1