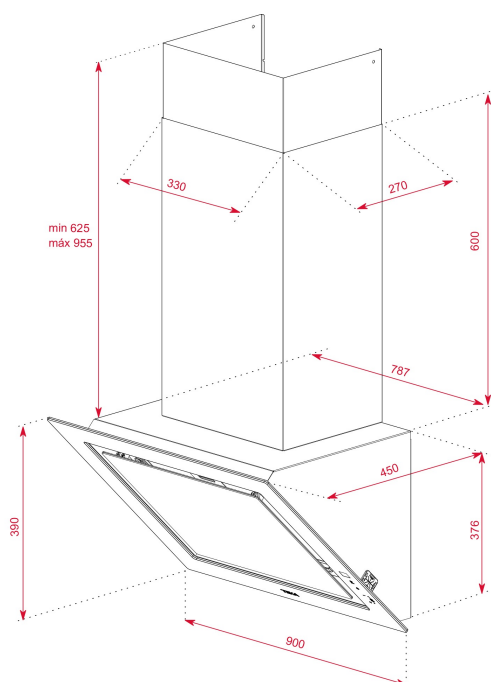




LED

Perimeter  
extractionStop Delay  
Timer

Fresh AIR



## REFERENCE

REF: 112930032

EAN: 8434778011968

## FEATURES

Urban Colors Edition  
 Decorative vertical hood  
 Touch control with display  
 FreshAir function  
 3 speeds + 1 intensive  
 Intensive speed exhaust capacity (m<sup>3</sup>/h): 696  
 Max speed exhaust capacity (m<sup>3</sup>/h): 558  
 Min speed exhaust capacity (m<sup>3</sup>/h): 290  
 Intensive speed sound level (dBA): 69.9  
 Max speed sound level (dBA): 66.5  
 Min speed sound level (dBA): 51.4  
 1 LED lamp  
 2 Aluminum filters  
 Stop delay timer  
 Filter saturation indicator  
 Anti-return valve included  
 Outlet reduction included  
 Optional recirculation kit with tube cover installation: CFH 15200 L3C  
 Optional regenerative recirculation kit with tube cover installation: RFH 15200 L3C  
 Optional recirculation kit without tube cover installation: CFH 15200 O2C  
 Optional Charcoal Filter: C1RTK  
 Optional Regenerative filter: R1RTK

## DIMENSIONS

**Product height (mm):** 1001-1331**Product width (mm):** 900**Product depth (mm):** 450**Product length (mm):****Net weight (Kg):** 20,27

## TECHNICAL DETAILS

Energy Efficiency Class: A+  
 Noise (LwA) Min Speed (dB): 51  
 Noise (LwA) Max Speed (dB): 67  
 Noise (LwA) Boost Speed (dB): 70  
 Ø Outlet (mm): 150

## COLOURS

	112930032	Steam grey
	112930031	Black
	112930031	White
	112930031	Stone grey



112930031

London brick brown