

MultiSlider



Autolock



Power



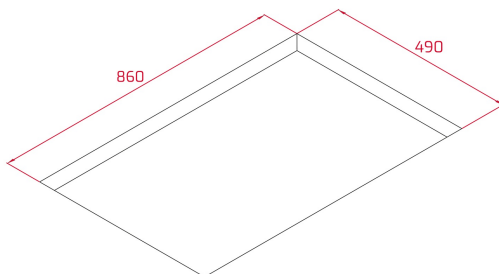
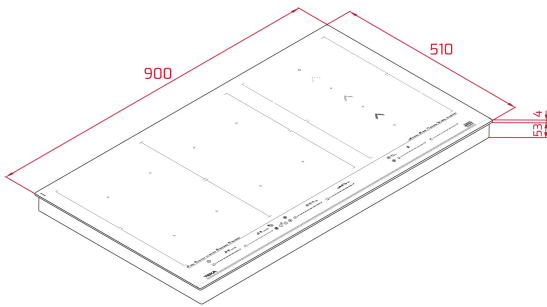
Power Plus



Easy installation



Flex



## REFERENCE

REF: 112500031

EAN: 8434778011876

## FEATURES

Urban Colors Edition

MasterSense Series

FullFlex Induction hob

SlideCooking Function

Direct functions with temperature sensors: Rice cooking, confit, keep warm, poaching, grilling, pan frying, deep frying, quick boiling, simmering and melting

Touch Control MultiSlider

6 cooking zones

6 zone Ø 262,5 X 195 mm

Ceramic glass surface

Auto-lock safety system

Cooking timer

Power plus Child lock

Residual heat indicator

Power management

Easy installation kit

Maximum nominal power 11.100 W

## DIMENSIONS

**Product height (mm):** 57**Product width (mm):** 900**Product depth (mm):** 510**Product length (mm):****Net weight (Kg):** 20

## TECHNICAL DETAILS

Power rate (V): 220-240

Frequency (Hz): 50/60

Maximum Nominal Power (W): 11100

## COLOURS



112500031

Black glass

## ENERGY EFFICIENCY

Power consumption in standby mode (W): -

Time to reach standby mode (min): 1