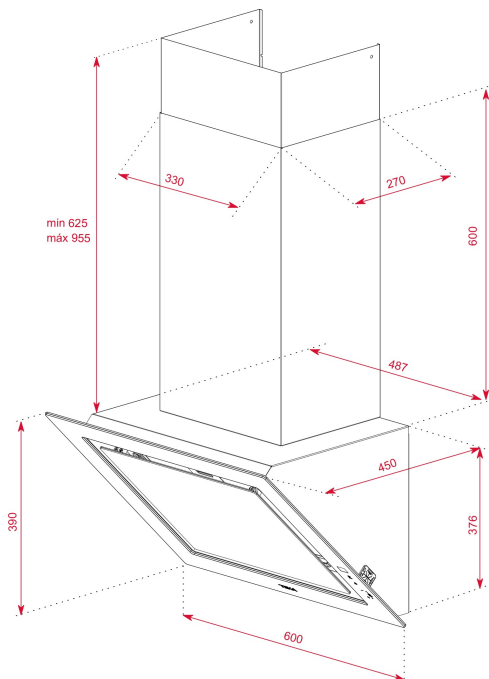




LED

Perimeter
extractionStop Delay
Timer

Fresh AIR



REFERENCE

REF: 112930037

EAN: 8434778012781

FEATURES

Urban Colors Edition

Decorative vertical hood

Touch control with display

FreshAir function

3 speeds + 1 intensive

Intensive speed exhaust capacity (m³/h): 880Max speed exhaust capacity (m³/h): 600Min speed exhaust capacity (m³/h): 200

Intensive speed sound level (dBA): 60

Max speed sound level (dBA): 57

Min speed sound level (dBA): 41

1 LED lamp

1 Aluminum filter

Stop delay timer

Filter saturation indicator

Anti-return valve included

Outlet reduction included

Optional recirculation kit with tube cover installation: CFH 15200 L3C

Optional regenerative recirculation kit with tube cover installation: RFH 15200 L3C

Optional recirculation kit without tube cover installation: CFH 15200 O2C

Optional Charcoal Filter: C1RTK

Optional Regenerative filter: R1RTK

DIMENSIONS

Product height (mm): 1001-1331**Product width (mm):** 600**Product depth (mm):** 450**Product length (mm):****Net weight (Kg):** 13,1

TECHNICAL DETAILS

Energy Efficiency Class: A+++

Noise (LwA) Min Speed (dB): 39

Noise (LwA) Max Speed (dB): 65

Noise (LwA) Boost Speed (dB): 72

Ø Outlet (mm): 150

COLOURS



112930037

Black