



EWH 100 Water heater with vertical installation and 100L capacity



Humidity Control



Overheating Protection



Dry Heating Protection

DESCRIPTION

Water heater with vertical installation and 100L capacity

LIFE STYLE

Easy

COLOURS



REFERENCE

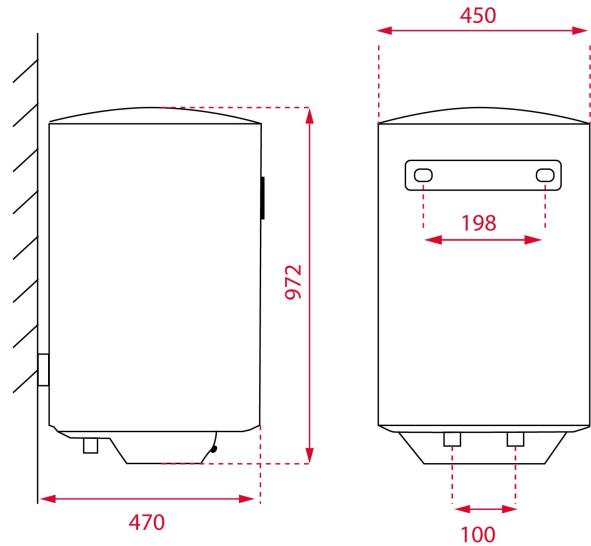
REF. 42080100
EAN. 8421152069424

FEATURES

Capacity: 100 litres
Sapphire enamelled tank
Sapphire heating element
Electrolytic muff
Regulation of temperature: 30-75 °C
Pressure valve > 5 bar
Max. Input temperature: 0,75Mpa
Thermometer
Anti Over-pressure protection
Overheat protection
Anti Dry-heating Protection
Waterproof Grade: IPX4
Rated power output 1500 W
Thickness of insulation: 20mm
Water connection: G $\frac{1}{2}$
Average number of users : 1-2/2-3/2-4/3-5

DIMENSIONS

Product height (mm): 961
Product width (mm): 450
Product depth (mm): 450
Product length (mm):
Net weight (Kg): 29,58



TECH SPECS

PARTICULAR CHARACTERISTICS

Power rate (V): 220-240
Frequency (Hz): 50
Power rate (W): 1.500
Plug type: EU
Type of installation: Vertical
Certificates: CE;CB
Average number of users: 3-5
Control panel: MECHANICAL
Number of power levels: 1
Maximum input pressure (Mpa): 0,75
Sapphire Enamelled Steel Tank: Yes
Magnesium protection anode: Yes
Heating element indicator lamp: Yes
Thermometer: Yes
Insulation thickness (mm): 20,00
Degree of protection against humidity: IPX4
Protection against heating: Yes
Dry heating protection: Yes

EU REGULATION NO.
812/2013

Declared load profile: M
Water heating energy efficiency class: C
Annual energy consumption AEC kWh/annum (kWh): 1401,00
Sound power level L WA (dB): 15

**EU REGULATION NO.
814/2013**

Storage Volume V L (L): 100



EWH 100

ENERGY LABEL

