



CC 485 ISLAND 40cm Tubular Island Hood Design with Touch Control and COPOWER motor



A Energy Class



LED



Stop Delay
Timer

DESCRIPTION

40cm Tubular Island Hood Design with Touch Control and COPOWER motor

LIFE STYLE

Maestro

COLOURS

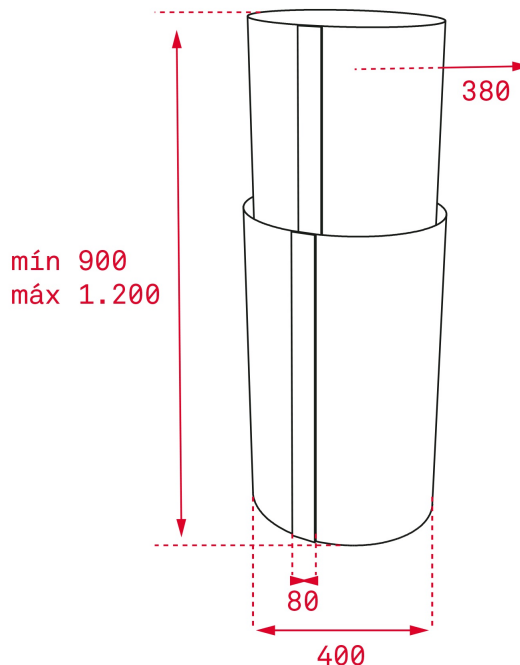
?

REFERENCE

REF. 40480330
EAN. 8421152145869

FEATURES

Tubular island hood
EcoPower motor
Energy Efficiency class: A
Touch control
Digital display
3 speeds + 1 intensive
Exhaust capacities:
Free Outlet, m³/h: 920
Qboost, m³/h: 771
Max., m³/h: 525
Min., m³/h: 305
Noise (LwA) Boost Speed, dB: 78
Noise (LwA) Max Speed, dB: 72
Noise (LwA) Min Speed, dB: 50
2 LED lamps
1 stainless steel filter
Stop delay timer
Filer saturation indicator



DIMENSIONS

Product height (mm): 815-1115
Product width (mm): 400
Product depth (mm): 400
Product length (mm):
Net weight (Kg): 21,5

TECH SPECS

PARTICULAR CHARACTERISTICS

Type of hood: Island
Style: Decoratives
Certificates: CE; CB
Ø Outlet (mm): 150
Type of inner light: LED
Inside light Consumption (W): 3
Plug type: EU
Power rate (V): 220-240
Frequency (Hz): 50
Total hood power (W): 286
Number of motors: 1
Motor power (W): 280
Exhaust Capacity - Free Outlet (m3/h): 920

**EU REGULATION NO. 65/2014
&66/2104**

Annual energy consumption AEC kWh/annum (kWh): 44,7
Energy Efficiency Class: A
Fluid Dynamic Efficiency (FDEhood): 32,2
Fluid Dynamic Efficiency class: A
Light Efficiency (Lehood) lux/Watt: 87,3
Lighting Efficiency class: A

Grease Filtering Efficiency class: C
Air flow (Qmin) m³/h: 305
Air flow (Qmax): 525
Air flow (Qboost): 771
Noise (LwA) Min Speed (dB): 50
Noise (LwA) Max Speed (dB): 72
Noise (LwA) boost speed (dB): 78
Standby Power (Ps) W: 0,74
Energy Efficiency Index (EEI): 47,3
Time increase factor: 0,8
Electric power input at best efficiency point (Wbep) W: 138,2
Nominal power of the lighting system (WL) W: 6
Average illumination of the lighting system on the cooking surface (Emiddle) Lux: 524

ACCESSORIES

Anti Return valve: Yes
Outlet reduction: Yes
Optional Charcoal Filter: D4C
Charcoal filter description: CHARCOAL FILTER D4C
Conventional recirculation kit (with tube cover): 40490148

MODELS

Number of filters: 1
Filter description: Stainless Steel filters
Control panel: Touch control White display
Stop delay timer: Yes
Filter saturation indicator: Yes
Number of speeds: 3+1



CC 485 ISLAND

ENERGY LABEL

