



INTEGRA 965 90cm A Built-in Decorative Hood with ECOPOWER motor



A Energy Class



LED

DESCRIPTION

90cm A Built-in Decorative Hood with ECOPOWER motor

LIFE STYLE

Maestro

COLOURS



REFERENCE

REF. 40489340
EAN. 8421152147009

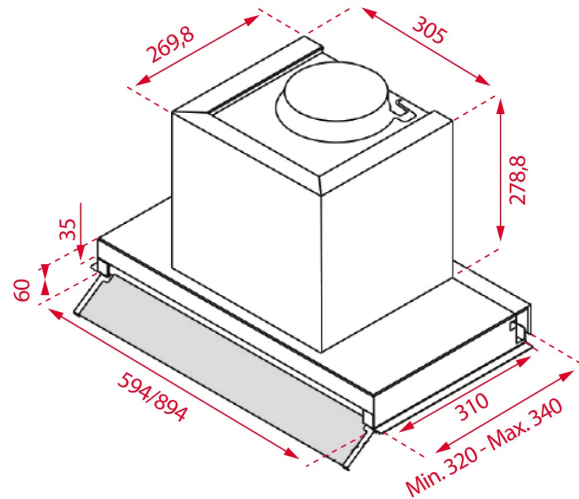


TEKA

INTEGRA 965

FEATURES

Built in/free installation decorative hood
EcoPower motor
Energy Efficiency class: A
Rotary knob (pop in- pop out)
3 speeds
Exhaust capacities:
Free Outlet, m³/h: 224
Max., m³/h: 620
Min., m³/h: 224
Noise (LwA) Max Speed, dB: 70
Noise (LwA) Min Speed, dB: 48
2 LED lamps
2 aluminium filters



DIMENSIONS

Product height (mm): 339
Product width (mm): 894
Product depth (mm): 310
Product length (mm):
Net weight (Kg): 9,5

TECH SPECS

PARTICULAR CHARACTERISTICS

Type of hood: Integrated
Style: Integrated
Certificates: CE; CB
Ø Outlet (mm): 150
Type of inner light: LED
Inside light Consumption (W): 2,5
Plug type: EU
Power rate (V): 220-240
Frequency (Hz): 50
Total hood power (W): 265
Number of motors: 1
Motor power (W): 260
Exhaust Capacity - Free Outlet (m3/h): 630

**EU REGULATION NO. 65/2014
&66/2104**

Annual energy consumption AEC kWh/annum (kWh): 47,8
Energy Efficiency Class: A
Fluid Dynamic Efficiency (FDEhood): 31,6
Fluid Dynamic Efficiency class: A
Light Efficiency (Lehood) lux/Watt: 29,0
Lighting Efficiency class: A
Grease Filtering Efficiency class: C
Air flow (Qmin) m3/h: 224
Air flow (Qmax): 625

Noise (LwA) Min Speed (dB): 46

Noise (LwA) Max Speed (dB): 69

Energy Efficiency Index (EEI): 52,0

Time increase factor: 0,9

Electric power input at best efficiency point (Wbep) W: 134,5

Nominal power of the lighting system (WL) W: 5

Average illumination of the lighting system on the cooking surface (Emiddle) Lux: 145

ACCESSORIES

Anti Return valve: Yes

Outlet reduction: Yes

Optional Charcoal Filter: D9C

Charcoal filter description: CHARCOAL FILTER D9C INTEGRA (set 2 u.)

MODELS

Number of filters: 2

Filter description: Aluminium

Control panel: Rotary knob (pop in- pop out)

Number of speeds: 3



INTEGRA 965

ENERGY LABEL

