



HSB 630 P 60cm Multifunction Oven and DualClean system



70 L



DualClean



Plus Extension
Telescopic
Guide



HydroClean



Pyrolysis

DESCRIPTION

60cm Multifunction Oven and DualClean system

LIFE STYLE

Total

COLOURS

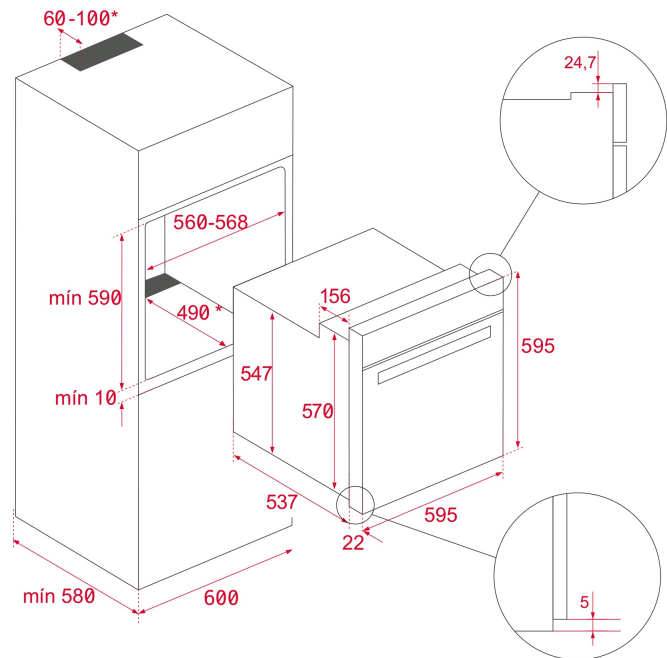


REFERENCE

REF. 41566050
EAN. 8421152148860

FEATURES

Pyrolytic Multifunction
3 pyrolytic cleaning cycles
HydroClean® PRO cleaning system
Enamel Slippery
A+ Energy class: up to 20% less consumption
Capacity, gross/net: 71/70 litres
Touch Control panel with LED display
Express preheating
ECO & defrosting functions
Children safety block, timer and door
Automatic disconnection security system
4 removable glazed door
Full glass inner door
1 telescopic guide
Anti-tip deep tray and cooking grid
Tangential ventilation Plus with 2 speeds
Optional Multicook and cast aluminium tray



DIMENSIONS

Product height (mm): 595

Product width (mm): 595

Product depth (mm): 537+22

Product length (mm):

Net weight (Kg): 34

TECH SPECS

PARTICULAR CHARACTERISTICS

Certificates: N / CE / CCA / CB

Number of cavities: 1

Type of inner light: Halogen

Inside light position: RIGHT TOP CORNER

Enamelled cavity: Yes

Function selector: 11+0

Number of cooking functions: 8

Grill function: Yes

MaxiGrill function: Yes

Bottom function: Yes

ECO function: Yes

Mechanical quick heating: Yes

Touch Control Programmer: Yes

Knobs type: MMX FIX knurling

Removable chromed tray guides: Yes

Number of guide levels: 5

Easy slide telescopic guides: Yes

ELECTRIC CONNECTION

Maximum Nominal Power (W): 3552

Frequency (Hz): 50/60

Power rate (V): 220-240
Cable Connection Length (cm): 110
Inside light Consumption (W): 25

ENERGY CONSUMPTION

Energy consumption per cycle in conventional mode (kWh):
0.88
Energy consumption per cycle in fan-forced convection mode (kWh): 0,68
Bottom Heating Element (W): 1050
Grill (W): 1400
Maxi Grill (W): 2450
Traditional (W): 2450
Multifunction Turbo (W): 25
Cooling Fan Motor (W): 30

SECURITY SYSTEM

Automatic disconnection when opening the door: Yes
Panel blocking system: Yes
Children safety block option: Yes
Grill protection: Yes
Anti-tip tray system: Yes
Safety Thermostat: Yes

CLEANING SYSTEM

Crystal Clean Enamel (Slippery): Yes
Hydroclean PRO: Yes
Pyrolytic: Yes
DualClean: Yes

ACCESSORIES

Deep Tray (50 mm): 1
Standard grid: 1

ENERGY EFFICIENCY

Energy Efficiency Class: A+
Energy Efficiency Index (EEI): 81

PRODUCT INFORMATION SHEET - DELEGATED REGULATION (EU) 65/2014

Supplier name or trademark: TEKA
Model identifier: HSB 630 P
Number of cavities: 1

Cavity 1

Energy Efficiency Index: 81
Energy Efficiency Class: A+
Energy consumption per cycle (conventional mode): 0.88
Energy consumption per cycle (fan-forced convection mode):
0,68
Heat source : Electric
Volume: 71



HSB 630 P

ENERGY LABEL

The energy label for the TEKA HSB 630 P dishwasher features the following information:

- Energy Class:** A+ (indicated by a black arrow pointing to the A+ bar on the scale)
- Energy Consumption (Washing):** 0.88 kWh/cycle*
- Energy Consumption (Drying):** 0.68 kWh/cycle*
- Capacity:** 70 L
- Model:** HSB 630 P
- Energy Label Scale:** A+++ (dark green), A++ (green), A+ (light green), A (yellow), B (orange), C (red), D (dark red)

* average system position: zaklas naplovanja: cilo: sušenje: odjelna ciklus: ciklus: cilo: cilo: cycle: cycle: cilo: program: cycle

65/2014