



# HLB 8600 ST A+ Multifunction Oven with 20 recipes



70L



Plus Extension  
Telescopic  
Guide



HydroClean



SoftClose



SurroundTemp



A+ Energy  
Class

## DESCRIPTION

A+ Multifunction Oven with 20 recipes

## LIFE STYLE

Maestro

## COLOURS



## REFERENCE

REF. 111000011  
EAN. 8434778008272

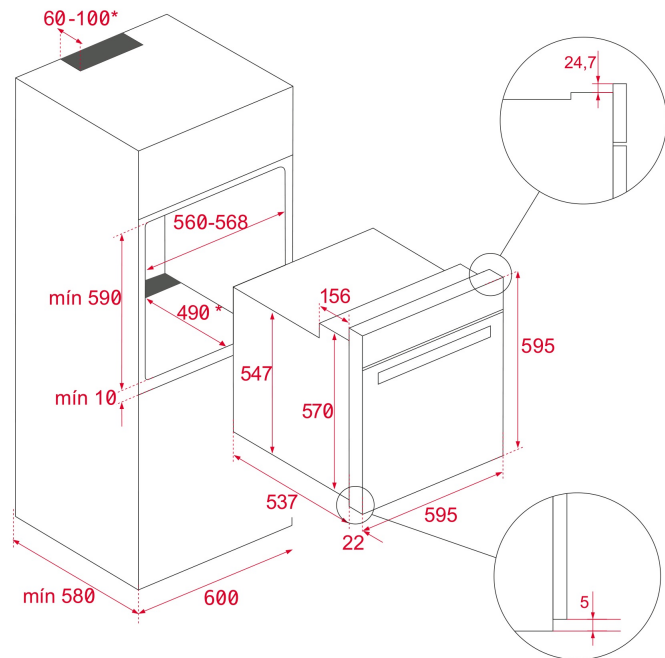


**TEKA**

**HLB 8600 ST**

## **FEATURES**

Urban Colors Edition  
Multifunction SurroundTemp - 12 Cooking functions  
Teka HydroClean®PRO cleaning system  
A+ Energy class: up to 20% less consumption  
Capacity, gross/net: 71/70 litres  
True colour TFT 4 display with digital timer  
Personal cooking assistant (20 recipes)  
SlowCook function: low temperature cooking  
Automatic temperature and time suggestion for each function  
Quick heating  
Children safety block  
Automatic disconnection security system  
Triple glazed door  
SoftClose system  
1 Plus-Extension telescopic guide, 5 cooking levels  
Deep enamelled tray and reinforced grid  
Tangential ventilation



## DIMENSIONS

Product height (mm): 595

Product width (mm): 595

Product depth (mm): 537+22

Product length (mm):

Net weight (Kg): 32

## TECH SPECS

### PARTICULAR CHARACTERISTICS

**Certificates:** N / CE / CCA / CB/GMARK/ JAS-ANZ/SASO

**Number of cavities:** 1

**Type of inner light:** Halogen

**Inside light position:** RIGHT TOP CORNER

**Enamelled cavity:** Yes

**Function selector:** ELECTRONIC

**Number of cooking functions:** 12

**Number of recipes:** 20

**Grill function:** Yes

**MaxiGrill function:** Yes

**Bottom function:** Yes

**Turbo function:** Yes

**ECO function:** Yes

**Ferment function:** Yes

**Automatic quick heating:** Yes

**Slow Cook:** Yes

**Knobs type:** MMX FIX ROTATIVE

**Removable chromed tray guides:** Yes

**Number of guide levels:** 5

**Easy slide telescopic guides:** Yes

**Drop-down grill:** Yes

**Forced refrigeration tangential 1 speed:** Yes

**ELECTRIC CONNECTION**

**ENERGY CONSUMPTION**

**SECURITY SYSTEM**

**CLEANING SYSTEM**

**ACCESSORIES**

**ENERGY EFFICIENCY**

**PRODUCT INFORMATION  
SHEET - DELEGATED  
REGULATION (EU) 65/2014**

**SoftClose:** Yes

**Maximum Nominal Power (W):** 3215  
**Frequency (Hz):** 50/60  
**Power rate (V):** 220-240  
**Cable Connection Length (cm):** 150  
**Plug:** Yes  
**Inside light Consumption (W):** 25

**Energy consumption per cycle in conventional mode (kWh):**  
0.83  
**Energy consumption per cycle in fan-forced convection mode (kWh):** 0,68  
**Bottom Heating Element (W):** 1150  
**Grill (W):** 1400  
**Maxi Grill (W):** 2500  
**Traditional (W):** 2550  
**Turbo (W):** 2000  
**Multifunction Turbo (W):** 22  
**Cooling Fan Motor (W):** 18

**Automatic disconnection when opening the door:** Yes  
**Panel blocking system:** Yes  
**Children safety block option:** Yes  
**Grill protection:** Yes  
**Anti-tip tray system:** Yes  
**Safety Thermostat:** Yes

**Hydroclean PRO:** Yes

**Deep Tray (50 mm):** 1  
**Steak tray:** 0  
**Reinforced grid:** 1

**Energy Efficiency Class:** A+  
**Energy Efficiency Index (EEI):** 81

**Supplier name or trademark:** TEKA  
**Model identifier:** HLB 8600  
**Number of cavities:** 1

**Cavity 1**

**Energy Efficiency Index:** 81  
**Energy Efficiency Class:** A+  
**Energy consumption per cycle (conventional mode):** 0.83  
**Energy consumption per cycle (fan-forced convection mode):**  
0,68  
**Heat source :** Electric  
**Volume:** 71



HLB 8600 ST

ENERGY LABEL

