



HLB 8600 P A+ Multifunction-Surround Pyrolytic Oven with 20 recipes



70L



DualClean



Full Extension
Telescopic
Guide



HydroClean



Pyrolysis



SoftClose



SurroundTemp

DESCRIPTION

A+ Multifunction-Surround Pyrolytic Oven with 20 recipes

LIFE STYLE

Maestro

COLOURS

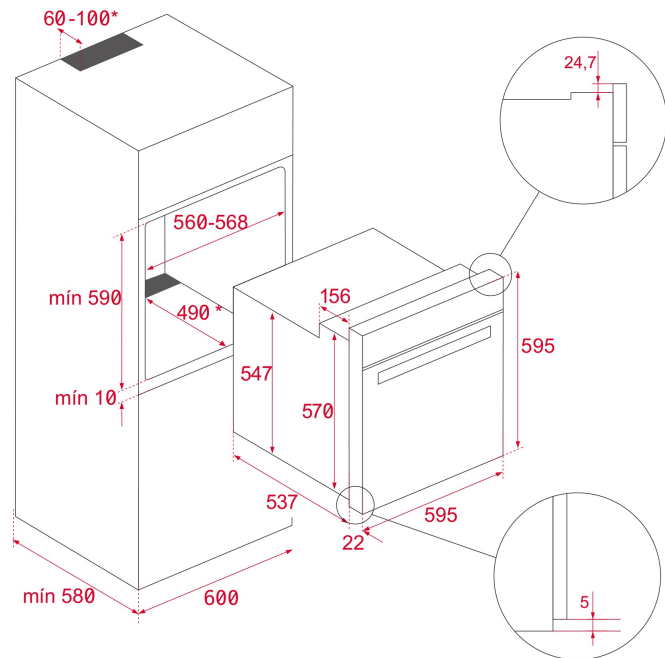


REFERENCE

REF. 111000015
EAN. 8434778008319

FEATURES

Urban color Edition
Multifunction SurroundTemp
12 Cooking functions
Pyrolysis self-cleaning system & automatic HydroClean system
Touch control display
Digital Timer
Personal cooking assistant: 20 programmed international recipes
Chrome supports with 5 cooking levels
1 Plus Extension telescopic guides and 1 Full Extension telescopic guides
Quadruple glazed door
SoftClose system
Automatic disconnection security system
Children safety lock
Mechanical quick preheating
Anti-tip deep tray and reinforced grid
Tangential ventilation Plus with 2 speeds
Gross/net capacity: 71/70 litres



DIMENSIONS

Product height (mm): 595

Product width (mm): 595

Product depth (mm): 537+22

Product length (mm):

Net weight (Kg): 37

TECH SPECS

PARTICULAR CHARACTERISTICS

Certificates: N / CE / CCA / CB

Number of cavities: 1

Type of inner light: Halogen

Inside light position: RIGHT TOP CORNER

Enamelled cavity: Yes

Function selector: ELECTRONIC

Number of cooking functions: 12

Number of recipes: 20

Top + Bottom function: Yes

Grill + Bottom function: Yes

Grill function: Yes

MaxiGrill function: Yes

Top + Bottom + Fan function: Yes

Bottom function: Yes

Bottom + TURBO (Pizza) function: Yes

Turbo function: Yes

ECO function: Yes

Ferment function: Yes

Automatic quick heating: Yes

Slow Cook: Yes

Knobs type: MMX FIX ROTATIVE SS

Removable chromed tray guides: Yes

Number of guide levels: 5
Full extension telescopic guides: Yes
Easy slide telescopic guides: Yes
SoftClose: Yes

ELECTRIC CONNECTION

Maximum Nominal Power (W): 3552
Frequency (Hz): 50/60
Power rate (V): 220-240
Cable Connection Length (cm): 150
Plug: Yes
Inside light Consumption (W): 25

ENERGY CONSUMPTION

Energy consumption per cycle in conventional mode (kWh):
0.87
Energy consumption per cycle in fan-forced convection mode (kWh): 0,68
Bottom Heating Element (W): 1050
Grill (W): 1400
Maxi Grill (W): 2450
Traditional (W): 2450
Turbo (W): 2000
Multifunction Turbo (W): 25
Cooling Fan Motor (W): 30

SECURITY SYSTEM

Automatic disconnection when opening the door: Yes
Panel blocking system: Yes
Children safety block option: Yes
Grill protection: Yes
Anti-tip tray system: Yes
Safety Thermostat: Yes

CLEANING SYSTEM

Crystal Clean Enamel (Slippery): Yes
Hydroclean PRO: Yes
Pyrolytic: Yes
DualClean: Yes

ACCESSORIES

Deep Tray (50 mm): 1
Steak tray: 0
Reinforced grid: 1

ENERGY EFFICIENCY

Energy Efficiency Class: A+
Energy Efficiency Index (EEI): 81

PRODUCT INFORMATION SHEET - DELEGATED REGULATION (EU) 65/2014

Supplier name or trademark: TEKA
Model identifier: HLB 8600 P ST E01
Number of cavities: 1

Cavity 1

Energy Efficiency Index: 81
Energy Efficiency Class: A+
Energy consumption per cycle (conventional mode): 0.87
Energy consumption per cycle (fan-forced convection mode):
0,68
Volume: 71



HLB 8600 P

ENERGY LABEL

ENERGY Y IJA IE IA
енергия · ενεργεια

TEKA HLB 8600 P

A+++
A++
A+ **A+**
A
B
C
D

70L

0.88 kWh/cycle*
0.68 kWh/cycle*

* Unesha - cyclus - porton - zylkes - pralyvayama - dide - tsukle - chetleme - ciklas - ciklas - ciklas - ciklas - cyclus - cykli - ciklu - program - ciklas
65/2014