



HSF 900 90cm Multifunction Oven with 77L capacity



77L



HydroClean

DESCRIPTION

90cm Multifunction Oven with 77L capacity

LIFE STYLE

Total

COLOURS



REFERENCE

REF. 41592220
EAN. 8421152154588

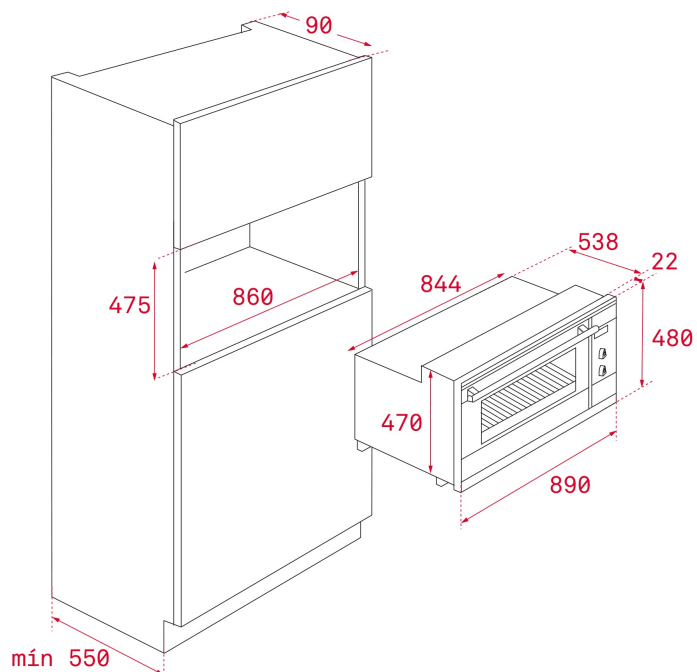


TEKA

HSF 900

FEATURES

Multifunction oven
7 Cooking functions
HydroClean system
Mechanical control knobs
Chrome supports with 5 cooking levels
Double glazed door
Reinforced grid
Tangential ventilation
Gross/net capacity: 91/77 litres



DIMENSIONS

Product height (mm): 480

Product width (mm): 890

Product depth (mm): 538+22

Product length (mm):

Net weight (Kg): 44

TECH SPECS

PARTICULAR CHARACTERISITICS

Certificates: N / CE / CCA / CB /GMARK

Number of cavities: 1

Type of inner light: Halogen

Inside light position: SIDE

Enamelled cavity: Yes

Function selector: 7+0

Number of cooking functions: 7

Grill function: Yes

MaxiGrill function: Yes

Bottom function: Yes

Minute Minder: Yes

Knobs type: MMX FIX KNOB knurling

Removable chromed tray guides: Yes

Number of guide levels: 5

Drop-down grill: Yes

Forced refrigeration tangential 1 speed: Yes

ELECTRIC CONNECTION

Maximum Nominal Power (W): 2848

Frequency (Hz): 50/60

Power rate (V): 220-240

ENERGY CONSUMPTION

Cable Connection Length (cm): 110

Inside light Consumption (W): 25

Energy consumption per cycle in conventional mode (kWh):
0.99

Energy consumption per cycle in fan-forced convection mode (kWh): 0,9

Bottom Heating Element (W): 1055

Grill (W): 1700

Maxi Grill (W): 2750

Traditional (W): 2105

Multifunction Turbo (W): 30

Cooling Fan Motor (W): 18

SECURITY SYSTEM

Grill protection: Yes

Anti-tip tray system: Yes

Safety Thermostat: Yes

CLEANING SYSTEM

Fingerprint proof stainless steel: Yes

Crystal Clean Enamel (Slippery): Yes

Hydroclean ECO: Yes

ACCESSORIES

Deep Tray (50 mm): 1

Reinforced grid: 1

ENERGY EFFICIENCY

Energy Efficiency Class: A

Energy Efficiency Index (EEI): 103,4

PRODUCT INFORMATION SHEET - DELEGATED REGULATION (EU) 65/2014

Supplier name or trademark: TEKA

Model identifier: HSF 900

Number of cavities: 1

Cavity 1

Energy Efficiency Index: 103,4

Energy Efficiency Class: A

Energy consumption per cycle (conventional mode): 0.99

Energy consumption per cycle (fan-forced convection mode):

0,9

Heat source : Electric

Volume: 91



HSF 900

ENERGY LABEL

The energy label for the TEKA HSF 900 is a vertical rectangular sticker with a blue border. At the top left is the European Union flag. To its right, the word "ENERG" is written in large blue letters, with "енергия" (energy) in Cyrillic and "енерџија" (energy) in Latin script below it. Further right are two circular icons: one with "Y" and "UA" and another with "IE" and "IA". Below this header is the TEKA logo and the model name "HSF 900". A small icon of a washing machine is shown on the left. The central part of the label features a scale of energy efficiency classes from A+++ (green) to D (red), with a black arrow pointing to class A. Below the scale are two boxes: the first shows a washing machine icon, the number "77 L", and a small icon of a washing machine; the second shows a washing machine icon and the energy consumption value "0.99 kWh/cycle*". Below these boxes is a line of small text in multiple languages: "* црква - cyclus - portion - siklus - программа - ciclo - tsükkel - ohjelma - ciklus - cilas - ciclo - siklus - cykl - ölü - program - cykel". At the bottom left of the label is the date "65/2014".