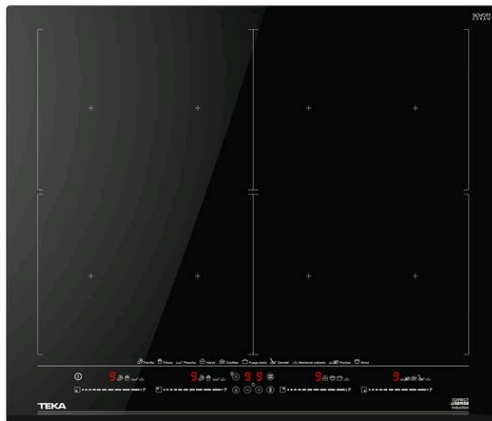




IZF 68610 MST 60cm DirectSense with FullFlex Induction with temperature sensors



MultiSlider



Autolock



Power



Power Plus



Easy
installation



Flex

DESCRIPTION

60cm DirectSense with FullFlex Induction with temperature sensors

LIFE STYLE

Maestro

COLOURS



REFERENCE

REF. 112500008
EAN. 8434778008944

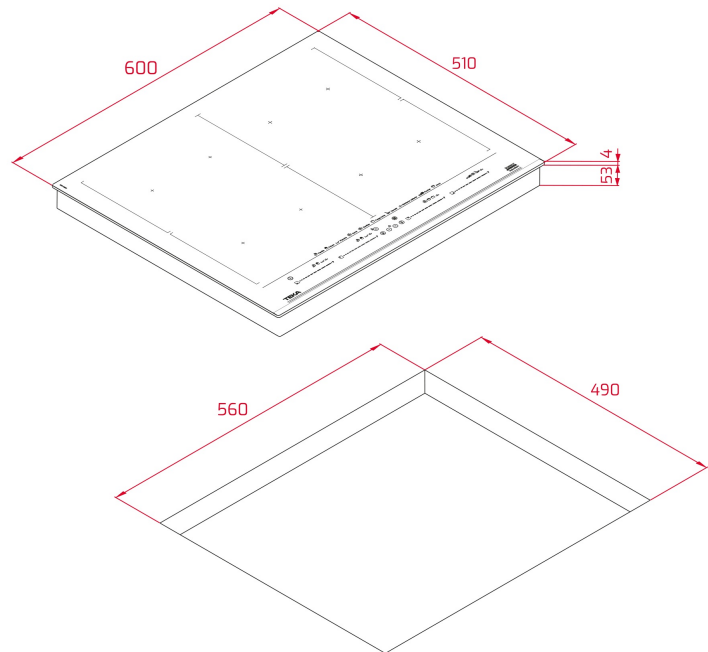


TEKA

IZF 68610 MST

FEATURES

DirectSense with FullFlex zone
Touch Control Multislider, with safety lock
Cooking time programmer
7 cooking zones (4 + 2 Flex combined + FullFlex)
4 zones of 263 x 195 mm
2 Flex Zones of 263 x 390 mm
1 FullFlex zone of 525 x 390 mm
Direct functions with temperature sensors:
Poaching, Confit, Rice Cooking, Grilling, Deep frying, Pan frying,
Keep warm, Boiling, Simmering and Melting
Power Plus function
Stop & GO function / Silence mode
Fast-Click easy installation
Max. (nominal) power: 7.400 W



DIMENSIONS

Product height (mm): 57
Product width (mm): 600
Product depth (mm): 510
Product length (mm):
Net weight (Kg): 13,21

TECH SPECS

FITTING MEASURES

Built-in Width (mm): 560
Built-in Depth (mm): 490
Built-in Height (mm): 53

PARTICULAR CHARACTERISTICS

Number of electric power levels: 9
Grilling: Yes
Pan frying: Yes
Deep frying: Yes
Quick Boiling: Yes
Simmering: Yes
Melting: Yes
Keeping warm: Yes
Confit: Yes
Poach: Yes
Rice Cook: Yes
Low-temp Function: Yes
Power management function: Yes

ELECTRIC CONNECTION

Frequency (Hz): 50/60

Power rate (V): 220-240
Cable Connection Length (cm): 110
Maximum Nominal Power (W) (Electric hob): 7400

COOKING ZONES

Cooking Zones: 4
Left rear cooking zone - Diameter (mm): 262,5 X 195
Left rear cooking zone - Type: Flex Zone
Left front cooking zone - Diameter (mm): 262,5 X 195
Left front cooking zone - Type: Flex Zone
Right rear cooking zone - Diameter (mm): 262,5 X 195
Right rear cooking zone - Type: Flex Zone
Right front cooking zone - Diameter (mm): 262,5 X 195
Right front cooking zone - Type: Flex Zone

SECURITY SYSTEM

Residual heat indicator (Gas): Yes
Residual heat indicator (Electric hob): Yes
Automatic safety disconnection (Auto Lock) (Electric hob): Yes
Safety Blocking: Yes
Child lock: Yes

FINISH

Surface finishing: Front bevelled glass
Surface type: Ceramic Glass (4mm)
Easy installation system: Yes

ACCESSORIES

Junction Kit: Optional
Teppan Yaki: Optional

