



GFH 55 55cm Built-in Hood with push buttons control panel and 2 aluminum filters



LED

DESCRIPTION

55cm Built-in Hood with push buttons control panel and 2 aluminum filters

LIFE STYLE

Easy

COLOURS



REFERENCE

REF. 40446700
EAN. 8421152036396

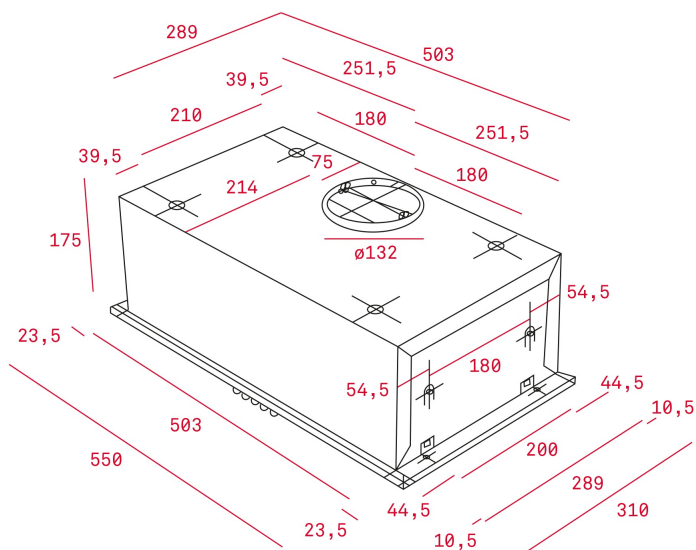


TEKA

GFH 55

FEATURES

Filter group
Push buttons control panel
Operating pilot light
Conventional aspiration
3 speeds
Exhaust capacities:
Free Outlet (m³/h): 367
Max. (m³/h): 329
Min. (m³/h): 223
Noise (LwA) Max Speed 69 dB
Noise (LwA) Min Speed 62 dB
Integrated halogen lamps
2 aluminium filters



DIMENSIONS

Product height (mm): 175
Product width (mm): 550
Product depth (mm): 310
Product length (mm):
Net weight (Kg): 5,34

TECH SPECS

PARTICULAR CHARACTERISTICS

Type of hood: Integrated
Style: Integrated
Certificates: CE, CB, Rohs
Ø Outlet (mm): 120
Type of inner light: LED
Inside light Consumption (W): 2
Plug type: EU
Power rate (V): 220-240
Frequency (Hz): 50/60
Total hood power (W): 134
Number of motors: 1
Motor power (W): 130
Exhaust Capacity - Free Outlet (m3/h): 367

**EU REGULATION NO. 65/2014
&66/2104**

Annual energy consumption AEC kWh/annum (kWh): 67,9
Energy Efficiency Class: D
Fluid Dynamic Efficiency (FDEhood): 10,5
Fluid Dynamic Efficiency class: E
Light Efficiency (Lehood) lux/Watt: 33,8
Lighting Efficiency class: A

Grease Filtering Efficiency class: C

Air flow (Qmin) m³/h: 296

Air flow (Qmax): 337

Noise (LwA) Min Speed (dB): 62

Noise (LwA) Max Speed (dB): 69

Energy Efficiency Index (EEI): 86,3

Time increase factor: 1,6

Electric power input at best efficiency point (Wbep) W: 111,3

Nominal power of the lighting system (WL) W: 4

Average illumination of the lighting system on the cooking surface (Emiddle) Lux: 135

ACCESSORIES

Anti Return valve: Yes

Outlet extension: yes

Optional Charcoal Filter: C3C

Charcoal filter description: CHARCOAL FILTER C3C

MODELS

Number of filters: 2

Filter description: Aluminium

Control panel: Push buttons

Number of speeds: 3



GFH 55

ENERGY LABEL

