



**GFH 73** 73cm Built-in Hood with push buttons control panel and 2 aluminum filters



LED

**DESCRIPTION**

73cm Built-in Hood with push buttons control panel and 2 aluminum filters

**LIFE STYLE**

Easy

**COLOURS**

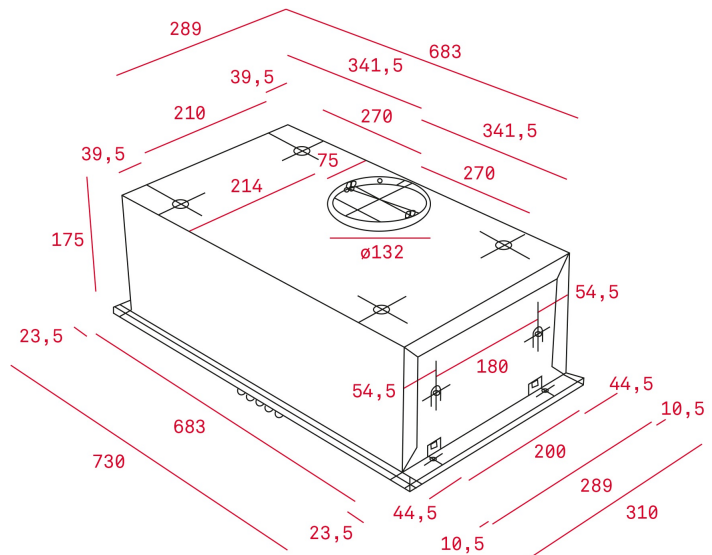


**REFERENCE**

REF. 40446710  
EAN. 8421152036402

**FEATURES**

Filter group  
Push buttons control panel  
Operating pilot light  
Conventional aspiration  
3 speeds  
Exhaust capacities:  
Free Outlet (m<sup>3</sup>/h): 367  
Max. (m<sup>3</sup>/h): 329  
Min. (m<sup>3</sup>/h): 223  
Noise (LwA) Max Speed 69 dB  
Noise (LwA) Min Speed 62 dB  
Integrated halogen lamps  
2 aluminium filters



## DIMENSIONS

**Product height (mm):** 175  
**Product width (mm):** 730  
**Product depth (mm):** 310  
**Product length (mm):**  
**Net weight (Kg):** 6,04

## TECH SPECS

### PARTICULAR CHARACTERISITICS

**Type of hood:** Integrated  
**Style:** Integrated  
**Certificates:** CE, CB, Rohs  
**Type of inner light:** LED  
**Inside light Consumption (W):** 2  
**Plug type:** EU  
**Power rate (V):** 220-240  
**Frequency (Hz):** 50/60  
**Total hood power (W):** 134  
**Number of motors:** 1  
**Motor power (W):** 130  
**Exhaust Capacity - Free Outlet (m3/h):** 367

**EU REGULATION NO. 65/2014  
&66/2104**

**Annual energy consumption AEC kWh/annum (kWh):** 67,9  
**Energy Efficiency Class:** D  
**Fluid Dynamic Efficiency (FDEhood):** 10,5  
**Fluid Dynamic Efficiency class:** E  
**Light Efficiency (Lehood) lux/Watt:** 33,8  
**Lighting Efficiency class:** A  
**Grease Filtering Efficiency class:** C

**Air flow (Qmin) m3/h:** 296

**Air flow (Qmax):** 337

**Noise (LwA) Min Speed (dB):** 62

**Noise (LwA) Max Speed (dB):** 69

**Energy Efficiency Index (EEI):** 86,3

**Time increase factor:** 1,6

**Electric power input at best efficiency point (Wbep) W:** 111,3

**Nominal power of the lighting system (WL) W:** 4

**Average illumination of the lighting system on the cooking surface (Emiddle) Lux:** 135

## **ACCESSORIES**

**Anti Return valve:** Yes

**Outlet extension:** yes

**Optional Charcoal Filter:** C3C

**Charcoal filter description:** CHARCOAL FILTER C3C

## **MODELS**

**Number of filters:** 2

**Filter description:** Aluminium

**Control panel:** Push buttons

**Number of speeds:** 3



GFH 73

ENERGY LABEL

The image shows a standard European Energy Label for a TEKA GFH 55/GFH 73 unit. The label is rectangular with a blue border and contains the following information:

- Header:** The European Union flag, the word "ENERG" in large letters, and "енергия · енергiя" in smaller letters below it. To the right are two small circular icons containing the letters "Y" and "IA" above "IE" and "IA".
- Brand and Model:** "TEKA" on the left and "GFH 55/GFH 73" on the right.
- Energy Efficiency Scale:** A vertical bar on the left shows efficiency classes from A++ (top, green) to E (bottom, red). A black arrow points to the class "D", which is highlighted in a black box.
- Annual Energy Consumption:** A box on the right contains the number "68" and "kWh/annum" below it.
- Additional Metrics:** Four icons are arranged horizontally at the bottom: a fan (labeled "A B C D E F G"), a lightbulb (labeled "A B C D E F G"), water droplets (labeled "A B C D E F G"), and a speaker (labeled "69 dB").
- Footer:** "65/2014" is printed at the bottom left, and "1231085-C" is printed at the bottom right.