



GFG 2 Built-in Hood with push buttons control panel and 1 aluminum filters



LED

DESCRIPTION

Built-in Hood with push buttons control panel and 1 aluminum filters

LIFE STYLE

Easy

COLOURS

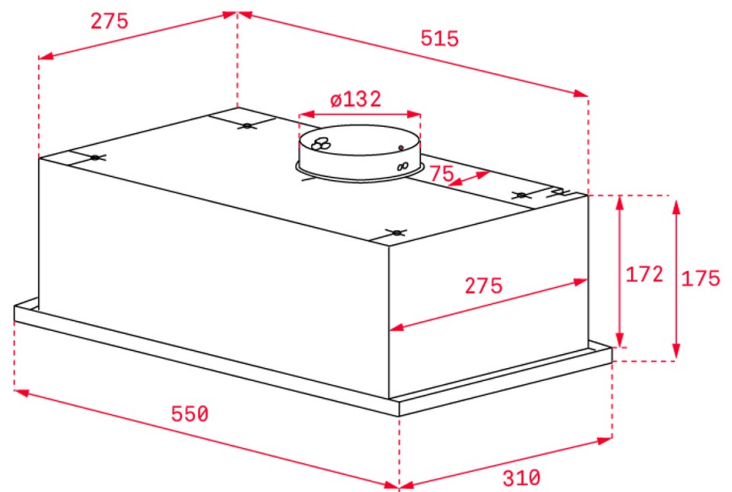


REFERENCE

REF. 40446751
EAN. 8421152121221

FEATURES

Filter group
Push buttons control panel
Conventional aspiration
3 speeds
Exhaust capacities:
Free Outlet (m³/h): 444
Max. (m³/h): 329
Min. (m³/h): 223
Noise (LwA) Max Speed 63 dB
Noise (LwA) Min Speed 53 dB
LED illumination
2 aluminium filters



DIMENSIONS

Product height (mm): 178
Product width (mm): 550
Product depth (mm): 310
Product length (mm):
Net weight (Kg): 7,6

TECH SPECS

PARTICULAR CHARACTERISTICS

Type of hood: Integrated
Style: Integrated
Certificates: CE; CB; Rohs
Type of inner light: LED
Inside light Consumption (W): 5
Plug type: EU
Power rate (V): 220-240
Frequency (Hz): 50/60
Total hood power (W): 135
Number of motors: 1
Motor power (W): 130
Exhaust Capacity - Free Outlet (m3/h): 444

**EU REGULATION NO. 65/2014
&66/2104**

Annual energy consumption AEC kWh/annum (kWh): 68,8
Energy Efficiency Class: D
Fluid Dynamic Efficiency (FDEhood): 10,7
Fluid Dynamic Efficiency class: E
Light Efficiency (Lehood) lux/Watt: 16,4
Lighting Efficiency class: C
Grease Filtering Efficiency class: B

Air flow (Qmin) m³/h: 240

Air flow (Qmax): 341

Noise (LwA) Min Speed (dB): 53

Noise (LwA) Max Speed (dB): 63

Energy Efficiency Index (EEI): 86,6

Time increase factor: 1,6

Electric power input at best efficiency point (W_{bep}) W: 111,5

Nominal power of the lighting system (WL) W: 5

Average illumination of the lighting system on the cooking surface (E_{middle}) Lux: 82

ACCESSORIES

Anti Return valve: Yes

Outlet extension: Yes

Optional Charcoal Filter: C3C

Charcoal filter description: CHARCOAL FILTER C3C (Optional)

MODELS

Number of filters: 1

Filter description: Aluminium

Control panel: Push buttons

Number of speeds: 3



GFG 2

ENERGY LABEL

