



XT1 891 60cm Built-in Hood with one motor



DESCRIPTION

60cm Built-in Hood with one motor

LIFE STYLE

Easy

COLOURS



REFERENCE

REF. 40456300
EAN. 8421152127988



TEKA

XT1 891

FEATURES

Built-in hood

Control panel: mechanic

Lamps Type: 2 halogens

3 speeds

Metallic filters

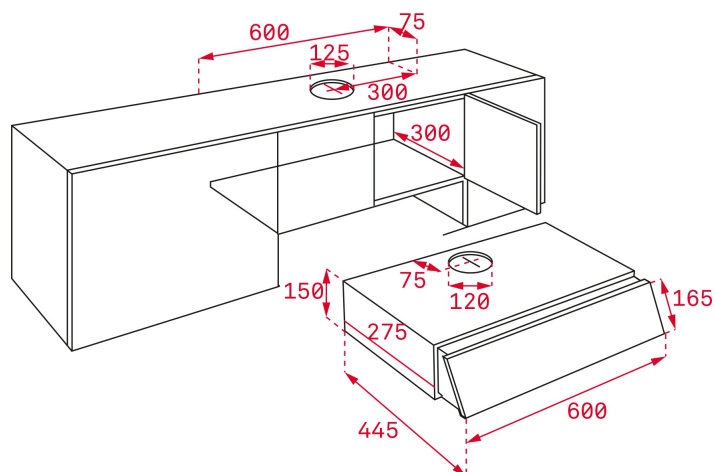
Max., m3/h: 224 Min., m3/h: 115

Noise: min. 53 dBA – max. 70 dBA

Recirculation Kit, optional

Energy Efficiency class: E

(*) PRODUCT FICHE ACCORDING TO COMMISSION DELEGATED
REGULATION (EU) NO 65/2014



DIMENSIONS

Product height (mm): 190/150
Product width (mm): 600
Product depth (mm): 308/340
Product length (mm):
Net weight (Kg): 7,4

TECH SPECS

PARTICULAR CHARACTERISTICS

Type of hood: Integrated
Style: Integrated
Certificates: CE / EMC / Rohs
Ø Outlet (mm): 125
Type of inner light: Halogen
Inside light Consumption (W): 28
Plug type: EU
Power rate (V): 220-240
Frequency (Hz): 50/60
Total hood power (W): 211
Number of motors: 1
Motor power (W): 155
Exhaust Capacity - Free Outlet (m3/h): 210

**EU REGULATION NO. 65/2014
&66/2104**

Annual energy consumption AEC kWh/annum (kWh): 134,0
Energy Efficiency Class: E
Fluid Dynamic Efficiency (FDEhood): 4,5
Fluid Dynamic Efficiency class: F
Light Efficiency (Lehood) lux/Watt: 3.0
Lighting Efficiency class: G

Grease Filtering Efficiency class: E
Air flow (Qmin) m3/h: 115
Air flow (Qmax): 224
Noise (LwA) Min Speed (dB): 53
Noise (LwA) Max Speed (dB): 70
Energy Efficiency Index (EEI): 108,2
Time increase factor: 1.8
Electric power input at best efficiency point (Wbep) W: 139,5
Nominal power of the lighting system (WL) W: 56.0
Average illumination of the lighting system on the cooking surface (Emiddle) Lux: 168

ACCESSORIES

Anti Return valve: Yes
Optional Charcoal Filter: C1C
Charcoal filter description: CHARCOAL FILTER C1C

MODELS

Number of filters: 1
Filter description: Metallic
Control panel: Slider control
Number of speeds: 3



XT1 891

ENERGY LABEL

