



NR1 89 Built-in Hood with one motor and mechanical control panel



DESCRIPTION

Built-in Hood with one motor and mechanical control panel

LIFE STYLE

Easy

COLOURS

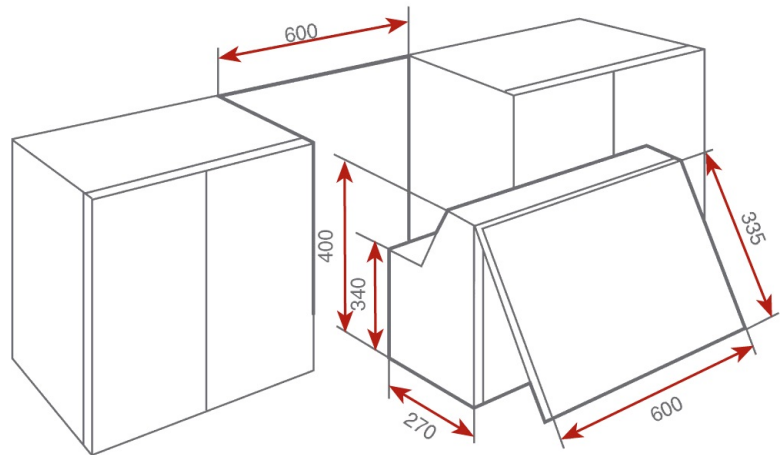


REFERENCE

REF. 40457310
EAN. 8421152064788

FEATURES

Built in decorative hood
One motor
Slider control panel
Operating Pilot Light
Conventional aspiration
3 speeds
Exhaust capacities:
Free Outlet (m³/h): 508
Max. (m³/h): 223
Min. (m³/h): 152
Noise (LwA) Max Speed 65 dB
Noise (LwA) Min Speed 63 dB
Incandescent Lamps
1 metal filter



DIMENSIONS

Product height (mm): 400
Product width (mm): 600
Product depth (mm): 270
Product length (mm):
Net weight (Kg): 9,35

TECH SPECS

PARTICULAR CHARACTERISTICS

Type of hood: Integrated
Style: Integrated
Certificates: CE; CB; Rohs
Ø Outlet (mm): 120
Type of inner light: Incandescent
Inside light Consumption (W): 40
Plug type: EU
Power rate (V): 230 V
Frequency (Hz): 50
Total hood power (W): 205
Number of motors: 1
Motor power (W): 125
Exhaust Capacity - Free Outlet (m³/h): 508

**EU REGULATION NO. 65/2014
&66/2104**

Annual energy consumption AEC kWh/annum (kWh): 122,1
Energy Efficiency Class: E
Fluid Dynamic Efficiency (FDEhood): 8,2
Fluid Dynamic Efficiency class: E
Light Efficiency (Lehood) lux/Watt: 1,0
Lighting Efficiency class: G

Grease Filtering Efficiency class: F
Air flow (Qmin) m3/h: 152
Air flow (Qmax): 223
Noise (LwA) Min Speed (dB): 63
Noise (LwA) Max Speed (dB): 65
Energy Efficiency Index (EEI): 105,7
Time increase factor: 1,7
Electric power input at best efficiency point (Wbep) W: 102,3
Nominal power of the lighting system (WL) W: 80
Average illumination of the lighting system on the cooking surface (Emiddle) Lux: 80

ACCESSORIES

Optional Charcoal Filter: C5C
Charcoal filter description: CHARCOAL FILTER C5C (NR1 89)

MODELS

Number of filters: 1
Filter description: Metal Filter
Control panel: Slider control
Number of speeds: 3



NR1 89

ENERGY LABEL

