



HBB 510 60cm Conventional Oven with HydrocleanECO



76L



HydroClean

DESCRIPTION

60cm Conventional Oven with HydrocleanECO

LIFE STYLE

Easy

COLOURS



REFERENCE

REF. 41560032
EAN. 8421152157640

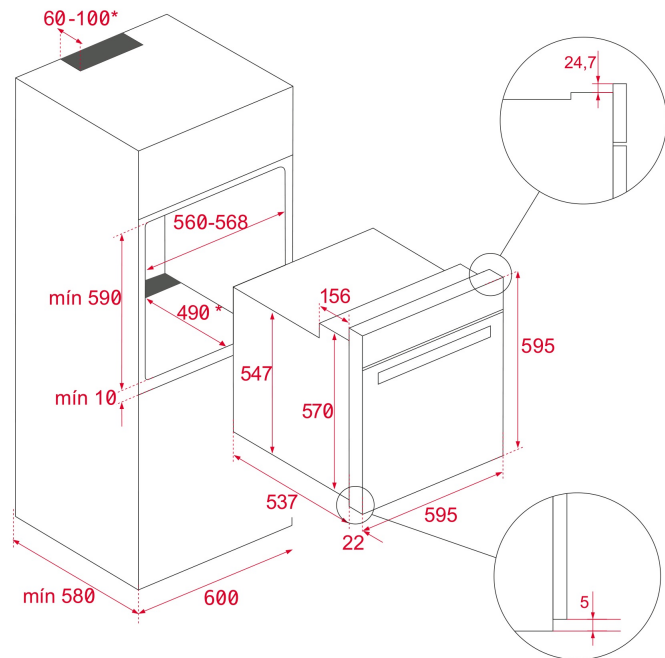


TEKA

HBB 510

FEATURES

Conventional oven
3 Cooking functions
HydroClean system
Mechanical control knobs
Minute minder
Chrome supports with 5 cooking levels
Double glazed door
Anti-tip deep tray
Dynamic ventilation
Gross/net capacity: 77/76 litres



DIMENSIONS

Product height (mm): 595

Product width (mm): 595

Product depth (mm): 537+22

Product length (mm):

Net weight (Kg): 25

TECH SPECS

PARTICULAR CHARACTERISTICS

Certificates: N / CE / CCA / CB / EAC

Number of cavities: 1

Type of inner light: Halogen

Inside light position: RIGHT TOP CORNER

Enamelled cavity: Yes

Function selector: 3+0

Number of cooking functions: 3

Grill function: Yes

Bottom function: Yes

Minute Minder: Yes

Knobs type: MMX FIX knurling

Removable chromed tray guides: Yes

Number of guide levels: 5

ELECTRIC CONNECTION

Maximum Nominal Power (W): 2593

Frequency (Hz): 50/60

Power rate (V): 220-240

Cable Connection Length (cm): 110

Inside light Consumption (W): 25

ENERGY CONSUMPTION

Energy consumption per cycle in conventional mode (kWh):
0.83

Energy consumption per cycle in fan-forced convection mode (kWh): No

Bottom Heating Element (W): 1150

Grill (W): 1400

Traditional (W): 2550

Cooling Fan Motor (W): 18

SECURITY SYSTEM

Grill protection: Yes

Anti-tip tray system: Yes

Safety Thermostat: Yes

CLEANING SYSTEM

Crystal Clean Enamel (Slippery): Yes

Hydroclean ECO: Yes

ACCESSORIES

Deep Tray (50 mm): 1

Standard grid: 1

ENERGY EFFICIENCY

Energy Efficiency Class: A

Energy Efficiency Index (EEI): 94,8

PRODUCT INFORMATION SHEET - DELEGATED REGULATION (EU) 65/2014

Supplier name or trademark: TEKA

Model identifier: HBB 510

Number of cavities: 1

Cavity 1

Energy Efficiency Index: 94,8

Energy Efficiency Class: A

Energy consumption per cycle (conventional mode): 0.83

Energy consumption per cycle (fan-forced convection mode): -

Heat source : Electric

Volume: 77



HBB 510

ENERGY LABEL

