



HBB 605 60cm Multifunction Oven and HydroClean system



70L



A Energy Class



HydroClean

DESCRIPTION

60cm Multifunction Oven and HydroClean system

LIFE STYLE

Easy

COLOURS



REFERENCE

REF. 41560050
EAN. 8421152148945

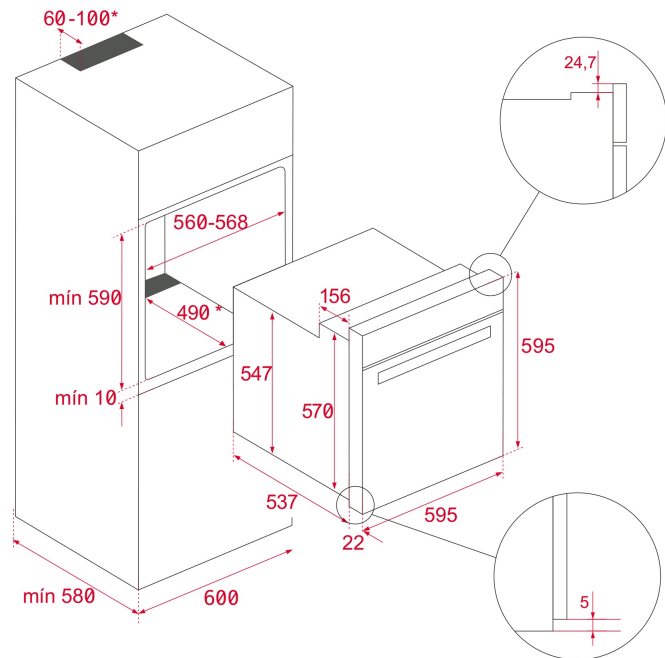


TEKA

HBB 605

FEATURES

Multifunction
HydroClean® ECO cleaning system
A Energy class
Capacity, gross/net: 71/70 litres
Minute minder
Express preheating function
ECO and defrosting functions
Double removable glazed door
Full glass inner door
Dynamic ventilation
Anti-tip deep & baking trays and cooking grid
Dynamic ventilation
Optional The SteamBox



DIMENSIONS

Product height (mm): 595

Product width (mm): 595

Product depth (mm): 537+22

Product length (mm):

Net weight (Kg): 26

TECH SPECS

PARTICULAR CHARACTERISTICS

Certificates: N / CE / CCA / CB/ GMARK/
Number of cavities: 1
Type of inner light: Halogen
Inside light position: RIGHT TOP CORNER
Enamelled cavity: Yes
Function selector: 7+0
Number of cooking functions: 6
Grill function: Yes
Bottom function: Yes
ECO function: Yes
Mechanical quick heating: Yes
Minute Minder: Yes
Knobs type: MMX FIX knurling
Removable chromed tray guides: Yes
Number of guide levels: 5

ELECTRIC CONNECTION

Maximum Nominal Power (W): 2615
Frequency (Hz): 50/60
Power rate (V): 220-240
Cable Connection Length (cm): 110

ENERGY CONSUMPTION

Inside light Consumption (W): 25

Energy consumption per cycle in conventional mode (kWh):
0.82

Energy consumption per cycle in fan-forced convection mode (kWh): 0,71

Bottom Heating Element (W): 1150

Grill (W): 1400

Traditional (W): 2550

Multifunction Turbo (W): 22

Cooling Fan Motor (W): 18

SECURITY SYSTEM

Grill protection: Yes

Anti-tip tray system: Yes

Safety Thermostat: Yes

CLEANING SYSTEM

Fingerprint proof stainless steel: Yes

Crystal Clean Enamel (Slippery): Yes

Hydroclean ECO: Yes

ACCESSORIES

Deep Tray (50 mm): 1

Standard grid: 1

ENERGY EFFICIENCY

Energy Efficiency Class: A

Energy Efficiency Index (EEI): 84,7

PRODUCT INFORMATION SHEET (COMPACTS) - DELEGATED REGULATION (EU) 65/2014

Supplier name or trademark: TEKA

Model identifier : HBB 605

Number of cavities: 1

Cavity 1

Energy Efficiency Index : 84,7

Energy Efficiency Class: A

Energy consumption per cycle (conventional mode): 0,71

Energy consumption per cycle (fan-forced convection mode):

0.82

Heat source: Electric

Volume: 71



HBB 605

ENERGY LABEL

ENERGY STAR
енергия - енергія

TEKA HBB 605

A+++
A++
A+
A
B
C
D

70 L

0.82 kWh/cycle*
0.71 kWh/cycle*

* kWh - cycle: normen - норма; nahapeqes - chto tsiklul' shchitina - ciklus ciklus ciklus ciklus - cykli - cykli - program - cykel

65/2014