



HLB 840 A+ Multifunction Oven with HydroClean® PRO cleaning system



70L



Plus Extension
Telescopic
Guide



HydroClean



SurroundTemp

DESCRIPTION

A+ Multifunction Oven with HydroClean® PRO cleaning system

LIFE STYLE

Maestro

COLOURS



REFERENCE

REF. 41560071
EAN. 8421152148501

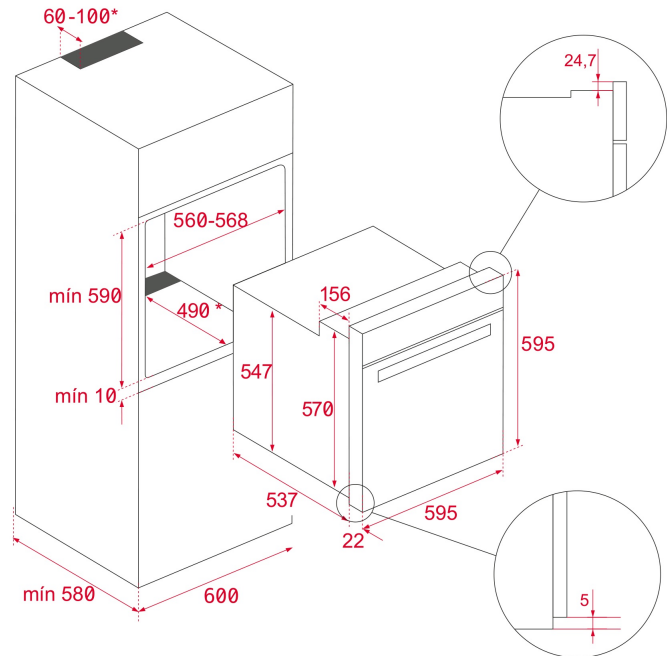


TEKA

HLB 840

FEATURES

Multifunction SurroundTemp - 9 Cooking functions
Teka HydroClean®PRO cleaning system
A+ Energy class: up to 20% less consumption
Capacity, gross/net: 71/70 litres
Touch Control with electronic timer
Quick heating
Children safety block
Automatic disconnection security system
Double glazed door
1 Plus-Extension telescopic guide, 5 cooking levels
Anti deep tray and reinforced grid
Dynamic ventilation



DIMENSIONS

Product height (mm): 595

Product width (mm): 595

Product depth (mm): 537+22

Product length (mm):

Net weight (Kg): 28

TECH SPECS

PARTICULAR CHARACTERISTICS

Certificates: N / CE / CCA / CB/GMARK

Number of cavities: 1

Type of inner light: Halogen

Inside light position: RIGHT TOP CORNER

Enamelled cavity: Yes

Function selector: 11+0

Number of cooking functions: 9

Grill function: Yes

MaxiGrill function: Yes

Bottom function: Yes

Turbo function: Yes

ECO function: Yes

Mechanical quick heating: Yes

Touch Control Programmer: Yes

Knobs type: MMX FIX knurling printed

Removable chromed tray guides: Yes

Number of guide levels: 5

Easy slide telescopic guides: Yes

Drop-down grill: Yes

Maximum Nominal Power (W): 3215

Frequency (Hz): 50/60

Power rate (V): 220-240

Cable Connection Length (cm): 110

Inside light Consumption (W): 25

ENERGY CONSUMPTION

Energy consumption per cycle in conventional mode (kWh):

0.81

Energy consumption per cycle in fan-forced convection mode (kWh): 0,68

Bottom Heating Element (W): 1150

Grill (W): 1400

Maxi Grill (W): 2500

Traditional (W): 2550

Turbo (W): 2000

Multifunction Turbo (W): 22

Cooling Fan Motor (W): 18

SECURITY SYSTEM

Panel blocking system: Yes

Grill protection: Yes

Anti-tip tray system: Yes

Safety Thermostat: Yes

CLEANING SYSTEM

Crystal Clean Enamel (Slippery): Yes

Hydroclean PRO: Yes

ACCESSORIES

Deep Tray (50 mm): 1

Reinforced grid: 1

ENERGY EFFICIENCY

Energy Efficiency Class: A+

Energy Efficiency Index (EEI): 81

PRODUCT INFORMATION SHEET - DELEGATED REGULATION (EU) 65/2014

Supplier name or trademark: TEKA

Model identifier: HLB 840 WH-SS

Number of cavities: 1

Cavity 1

Energy Efficiency Index: 81

Energy Efficiency Class: A+

Energy consumption per cycle (conventional mode): 0.81

Energy consumption per cycle (fan-forced convection mode):
0,68

Heat source : Electric

Volume: 71



HLB 840

ENERGY LABEL

The energy label for the TEKA HLB 840 dishwasher is a vertical rectangular sticker. At the top left is the European Union flag. To its right is the word "ENERG" in large letters, with "енергия · ενεργεια" below it. Further right are two circular icons: one with "Y IIA" and another with "IE IA". Below this header is the TEKA logo and the model number "HLB 840". A small icon of a dishwasher is shown on the left. The main part of the label features a vertical scale of energy efficiency classes from A+++ (dark green) at the top to D (red) at the bottom. A black arrow points to the A+ class. Below the scale are two boxes: the first shows a dishwasher icon and "70 L"; the second shows a cycle icon and "0.81 kWh/cycle*". At the bottom, there is a smaller box with a cycle icon and "0.68 kWh/cycle*".

70 L

0.81 kWh/cycle*

0.68 kWh/cycle*

* kWh/cycle: portion: -yklus: -приготовление: -цикл: -tsäkkel: -ohjelma: -ciklus: -ciklus: -ciklus: -ciklus: -cyclus: -cyklus: -cyklus: -cyklus: -program: -cykel

65/2014