



HLB 840 A+ Multifunction Surround temp. oven with HydroClean® PRO cleaning system



70L



Plus Extension
Telescopic
Guide



HydroClean



SurroundTemp

DESCRIPTION

A+ Multifunction Surround temp. oven with HydroClean® PRO cleaning system

LIFE STYLE

Maestro

COLOURS



REFERENCE

REF. 41560077
EAN. 8421152157862

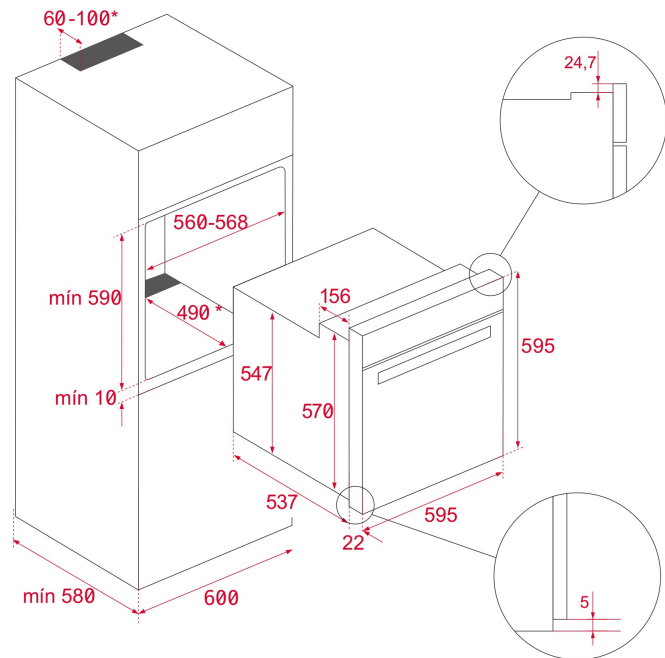


TEKA

HLB 840

FEATURES

Multifunction SurroundTemp
9 Cooking functions
Automatic HydroClean system
Touch control display
Chrome supports with 5 cooking levels
1 Plus Extension telescopic guide
Double glazed door
Anti-tip deep tray and reinforced grid
Dynamic ventilation
Gross/net capacity: 71/70 litres



DIMENSIONS

Product height (mm): 595

Product width (mm): 595

Product depth (mm): 537+22

Product length (mm):

Net weight (Kg): 28

TECH SPECS

PARTICULAR CHARACTERISTICS

Certificates: N / CE / CCA / CB/GMARK

Number of cavities: 1

Type of inner light: Halogen

Inside light position: RIGHT TOP CORNER

Enamelled cavity: Yes

Function selector: 11+0

Number of cooking functions: 9

Top + Bottom function: Yes

Grill function: Yes

MaxiGrill function: Yes

MaxiGrill + Fan function: Yes

Bottom function: Yes

Bottom + TURBO (Pizza) function: Yes

Turbo function: Yes

ECO function: Yes

Mechanical quick heating: Yes

Touch Control Programmer: Yes

Knobs type: MMX FIX knurling printed

Removable chromed tray guides: Yes

Number of guide levels: 5

Easy slide telescopic guides: Yes

Drop-down grill: Yes

ELECTRIC CONNECTION

Maximum Nominal Power (W): 3215
Frequency (Hz): 50/60
Power rate (V): 220-240
Cable Connection Length (cm): 110
Inside light Consumption (W): 25

ENERGY CONSUMPTION

Energy consumption per cycle in conventional mode (kWh):
0.81
Energy consumption per cycle in fan-forced convection mode (kWh): 0,68
Bottom Heating Element (W): 1150
Grill (W): 1400
Maxi Grill (W): 2500
Traditional (W): 2550
Turbo (W): 2000
Multifunction Turbo (W): 22
Cooling Fan Motor (W): 18

SECURITY SYSTEM

Panel blocking system: Yes
Grill protection: Yes
Anti-tip tray system: Yes
Safety Thermostat: Yes

CLEANING SYSTEM

Crystal Clean Enamel (Slippery): Yes
Hydroclean PRO: Yes

ACCESSORIES

Deep Tray (50 mm): 1
Reinforced grid: 1

ENERGY EFFICIENCY

Energy Efficiency Class: A+
Energy Efficiency Index (EEI): 81

PRODUCT INFORMATION SHEET - DELEGATED REGULATION (EU) 65/2014

Supplier name or trademark: TEKA
Model identifier: HLB 840 BK-SS
Number of cavities: 1

Cavity 1

Energy Efficiency Index: 81
Energy Efficiency Class: A+
Energy consumption per cycle (conventional mode): 0.81
Energy consumption per cycle (fan-forced convection mode):
0,68
Volume: 71



HLB 840

ENERGY LABEL

The energy label for the TEKA HLB 840 dishwasher is a vertical rectangular sticker with a blue border. At the top left is the European Union flag. To its right is the word "ENERG" in large blue letters, with "енергия · ενεργεια" in smaller text below it. Further right are two circular icons: one with "Y IJA" and another with "IE IA". Below this header is the TEKA logo and the model number "HLB 840". A central graphic shows a vertical bar with energy efficiency levels from A+++ (green) at the top to D (red) at the bottom. A black arrow points to the A+ level. Below the bar are two boxes: the first shows a dishwasher icon and "70 L"; the second shows a cycle icon and "0.68 kWh/cycle*". At the bottom, there is a small line of text in multiple languages and the date "65/2014".