



# HSB 635 60cm A+ Multifunction Oven with HydrocleanPRO



70L



Plus Extension  
Telescopic  
Guide



HydroClean

**DESCRIPTION**

60cm A+ Multifunction Oven with HydrocleanPRO

**LIFE STYLE**

Total

**COLOURS**

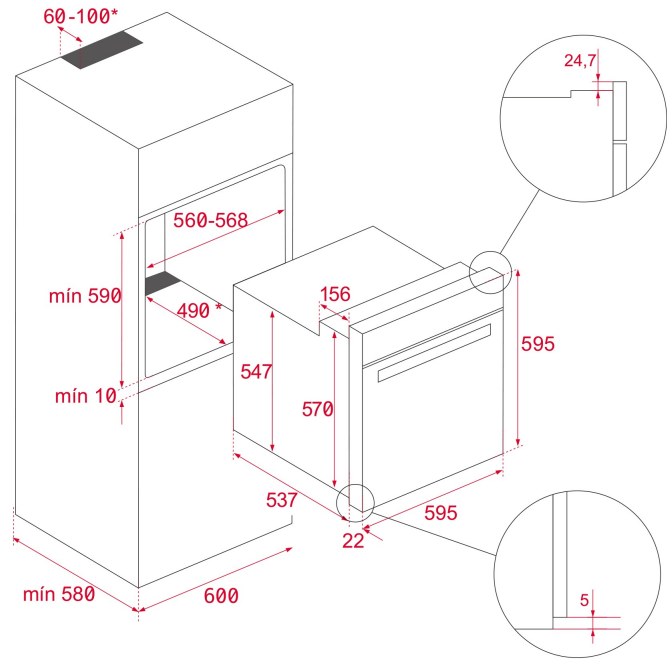


**REFERENCE**

REF. 41560140  
EAN. 8421152148952

**FEATURES**

Multifunction  
HydroClean® PRO cleaning system  
Enamel Slippery  
A+ Energy class: up to 20% less consumption  
Capacity, gross/net: 71/70 litres  
Touch Control panel with LED display  
Express preheating function  
ECO and defrosting functions  
Children safety block  
Double removable glazed door  
Full glass inner door  
Plus Extension telescopic guide easy slide  
Anti-tip deep & baking trays and cooking grid Dynamic ventilation  
Dynamic ventilation  
Optional The SteamBox and cast aluminium tray



## DIMENSIONS

**Product height (mm):** 595

**Product width (mm):** 595

**Product depth (mm):** 537+22

**Product length (mm):**

**Net weight (Kg):** 27

## TECH SPECS

### PARTICULAR CHARACTERISTICS

**Certificates:** N / CE / CCA / CB

**Number of cavities:** 1

**Type of inner light:** Halogen

**Inside light position:** RIGHT TOP CORNER

**Enamelled cavity:** Yes

**Function selector:** 10+0

**Number of cooking functions:** 8

**Top + Bottom function:** Yes

**Grill function:** Yes

**MaxiGrill function:** Yes

**Top + Bottom + Fan function:** Yes

**MaxiGrill + Fan function:** Yes

**Bottom function:** Yes

**ECO function:** Yes

**Mechanical quick heating:** Yes

**Touch Control Programmer:** Yes

**Knobs type:** MMX FIX knurling

**Removable chromed tray guides:** Yes

**Number of guide levels:** 5

**Easy slide telescopic guides:** Yes

## **ELECTRIC CONNECTION**

**Maximum Nominal Power (W):** 2615  
**Frequency (Hz):** 50/60  
**Power rate (V):** 220-240  
**Cable Connection Length (cm):** 110  
**Inside light Consumption (W):** 25

## **ENERGY CONSUMPTION**

**Energy consumption per cycle in conventional mode (kWh):**  
0.86  
**Energy consumption per cycle in fan-forced convection mode (kWh):** 0,68  
**Bottom Heating Element (W):** 1150  
**Grill (W):** 1400  
**Maxi Grill (W):** 2500  
**Traditional (W):** 2550  
**Multifunction Turbo (W):** 22  
**Cooling Fan Motor (W):** 18

## **SECURITY SYSTEM**

**Panel blocking system:** Yes  
**Grill protection:** Yes  
**Anti-tip tray system:** Yes  
**Safety Thermostat:** Yes

## **CLEANING SYSTEM**

**Fingerprint proof stainless steel:** Yes  
**Crystal Clean Enamel (Slippery):** Yes  
**Hydroclean PRO:** Yes

## **ACCESSORIES**

**Deep Tray (50 mm):** 1  
**Standard grid:** 1

## **ENERGY EFFICIENCY**

**Energy Efficiency Class:** A+  
**Energy Efficiency Index (EEI):** 81

## **PRODUCT INFORMATION SHEET - DELEGATED REGULATION (EU) 65/2014**

**Supplier name or trademark:** TEKA  
**Model identifier:** HSB 635  
**Number of cavities:** 1

### **Cavity 1**

**Energy Efficiency Index:** 81  
**Energy Efficiency Class:** A+  
**Energy consumption per cycle (conventional mode):** 0.86  
**Energy consumption per cycle (fan-forced convection mode):**  
0,68  
**Volume:** 71



HSB 635

ENERGY LABEL

