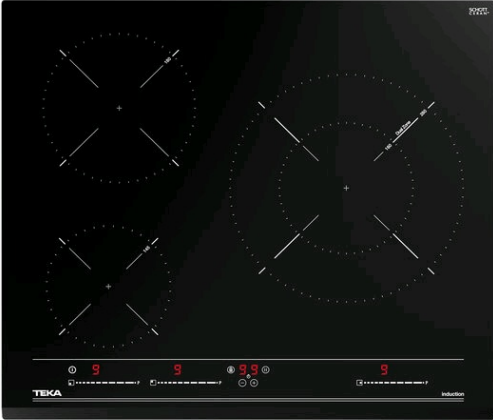




IZC 63015 BK MSS 60cm Induction Hob with Touch control MultiSlider and 3 zones



MultiSlider



Autolock



Power



Power Plus



Easy
installation

DESCRIPTION

60cm Induction Hob with Touch control MultiSlider and 3 zones

LIFE STYLE

Easy

COLOURS



REFERENCE

REF. 112520017
EAN. 8434778012897

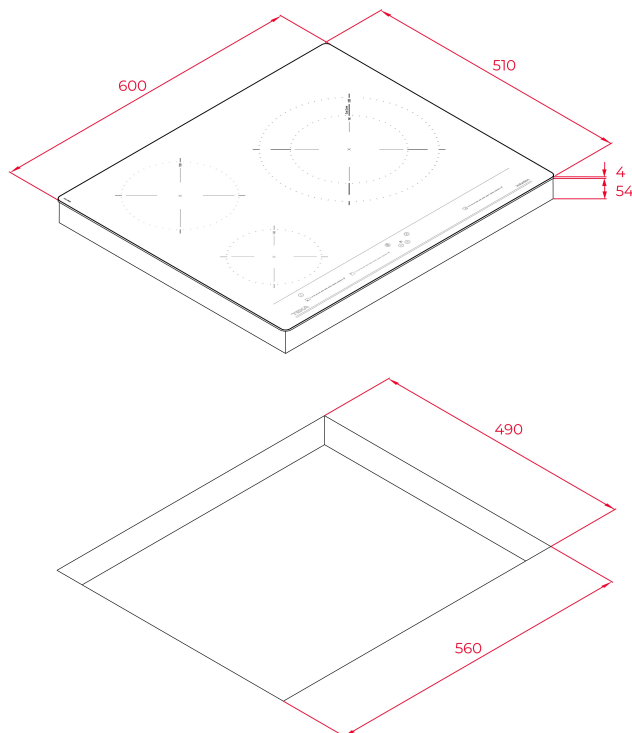


TEKA

IZC 63015 BK MSS

FEATURES

Induction hob
Touch control MultiSlider
Cooking timer
3 cooking zones:
1 induction Ø 160/280 mm
1 induction Ø 180 mm
1 induction Ø 145 mm
Power Plus function
Stop & Go function
Residual heat indicators
Fast-Click easy installation
Maximum nominal power : 7.400 W



DIMENSIONS

Product height (mm): 58
Product width (mm): 600
Product depth (mm): 510
Product length (mm):
Net weight (Kg): 9,79

TECH SPECS

FITTING MEASURES

Built-in Width (mm): 560
Built-in Depth (mm): 490
Built-in Height (mm): 54

PARTICULAR CHARACTERISTICS

Number of electric power levels: 9
Power management function: Yes

ELECTRIC CONNECTION

Frequency (Hz): 50/60
Power rate (V): 220-240
Cable Connection Length (cm): 110
Maximum Nominal Power (W) (Electric hob): 7200

COOKING ZONES

Cooking Zones: 3
Left rear cooking zone - Diameter (mm): 180
Left rear cooking zone - Type: Single Zone
Left rear cooking zone - Consumption (W): 1700-2100
Left front cooking zone - Diameter (mm): 145

Left front cooking zone - Type: Single Zone
Left front cooking zone - Consumption (W): 1200-1500
Right center cooking zone - Diameter (mm): 160/280
Right center cooking zone - Type: Double Zone
Right center cooking zone - Consumption (W): 2500-3600

SECURITY SYSTEM

Residual heat indicator (Gas): Yes
Residual heat indicator (Electric hob): Yes
Automatic safety disconnection (Auto Lock) (Electric hob): Yes
Child lock: Yes

FINISH

Surface finishing: Front bevelled glass
Surface type: Ceramic Glass (4mm)
Easy installation system: Yes

ACCESSORIES

Junction Kit: Optional
Teppan Yaki: Optional

