



**CI3-350 FI NF SN-T** Built-in No Frost Combi with A++ energy class in 170 cm



Motor inverter



Fresh Box



LED



Zero Box

**DESCRIPTION**

Built-in No Frost Combi with A++ energy class in 170 cm

**LIFE STYLE**

Maestro

**COLOURS**

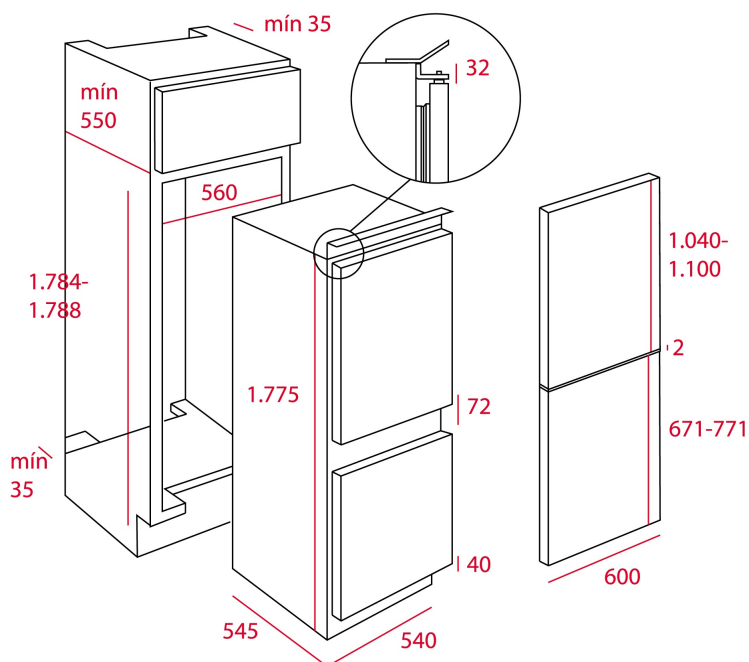


**REFERENCE**

REF. 40634573  
EAN. 8421152160770

**FEATURES**

No Frost Built-in combi  
Electronic control panel  
4 \* freezer  
No Frost freezer  
Automatic defrost (refrigerator)  
Quick Cool function  
Antibacterial system  
Safety glass shelves  
0-3° Zone  
Sliding door installation  
Energy Class : A++  
Climate Class : SN-T  
Noise level : 40 dBA  
Total gross capacity : 275 litres  
Net capacity ( fridge ): 186 litres  
Net capacity ( freezer ): 69 litres  
Voltage : 220-240/50 Hz



## DIMENSIONS

**Product height (mm):** 1776  
**Product width (mm):** 540  
**Product depth (mm):** 545  
**Product length (mm):**  
**Net weight (Kg):** 55

## TECH SPECS

### UKURAN PEMASANGAN

**Built-in niche (cm):** 178

### LEMBARAN PRODUK

**Cooling system:** Defrost/No Frost  
**No Frost in freezer compartment:** YA  
**Total gross capacity (litres):** 275  
**Refrigerator compartment capacity (litres):** 167  
**Chilling Compartment Capacity (litres):** 19  
**Freezer compartment capacity (litres):** 69  
**Freezer classification:** 4  
**Freezing capacity:** 4,0  
**Annual Consumption (kWh/year):** 240  
**Temperature Rise Time (h):** 13  
**Climate class:** SN/T  
**Noise level (dB):** 40

### DAYA LISTRIK

**Frequency (Hz):** 50  
**Power rate (V):** 220-240  
**Power rate (W):** 125  
**Defrost element power (W):** 120  
**Energy consumption (kw/day):** 0,657

**PARTICULAR  
CHARACTERISTICS**

**Type of installation:** Built-in  
**Automatic defrosting in the refrigeration compartment:** YA  
**Automatic defrosting in the freezer compartment:** YA  
**Electronic adjustable thermostat:** YA  
**Antibacterial treatment:** NO  
**Freezing set button:** YA  
**Fast freezing:** YA  
**Inner light:** YA  
**Type of inner light:** LED on Ceiling  
**Reversible doors:** YA

**LAMPU KONTROL INDIKATOR**

**Operating light freezer:** YA  
**Fast freezing indicator:** YA  
**Acoustic alarm:** YA  
**Visual alarm:** YA

**PERALATAN**

**Chromed bottle rack:** 4  
**Antibacterial gasket:** YA  
**Multipurpose compartment:** NO  
**Ice cubes tray:** 1  
**Bottle rack type:** CHROMED  
**Adjustable feet front:** YA  
**Roller (rear):** YA  
**Vegetable drawers:** 1  
**Temperature and humidity regulation in drawers:** FRESH BOX

**PRODUCT INFORMATION  
SHEET (UE) 2019/2016**

**Supplier name or trademark:** TEKA  
**Supplier's address:**  
**Model identifier:**

**Type of refrigerating appliance**

**Low-noise appliance:**  
**Design type:**  
**Wine storage appliance:**  
**Other refrigerating appliance:**

**Overall dimensions (mm)**

**Height:**  
**Width:**  
**Depth:**  
**Total volume (dm<sup>3</sup> or l):**  
**Energy efficiency class:**  
**Airborne acoustical noise emissions (dB(A) re 1 pW):**  
**Airborne acoustical noise emission class:**  
**Annual energy consumption (kWh/a):**  
**Climate class:** SN/T  
**Minimum ambient temperature (°C), for which the refrigerating appliance is suitable:**  
**Maximum ambient temperature (°C), for which the refrigerating appliance is suitable:**  
**Winter setting:**  
**Compartment 1:**  
**Compartment 1 - Compartment Volume (l):**  
**Compartment 1 - Recommended temperature setting for optimised food storage (°C):**  
**Compartment 1 - Freezing capacity (kg/24h):**  
**Compartment 1 - Defrosting type:**  
**Compartment 1 - Target temperature (°C):**  
**Compartment 1 - Thermodynamic parameter (rc):**  
**Compartment 1 - Nc:**  
**Compartment 1 - Mc:**

**Compartment 1 - Defrost factor (Ac):**  
**Compartment 1 - Built-in factor (Bc):**  
**Compartment 2:**  
**Compartment 2 - Compartment Volume (I):**  
**Compartment 2 - Recommended temperature setting for optimised food storage (°C):**  
**Compartment 2 - Freezing capacity (kg/24h):**  
**Compartment 2 - Defrosting type:**  
**Compartment 2 - Target temperature (°C):**  
**Compartment 2 - Thermodynamic parameter (rc):**  
**Compartment 2 - Nc:**  
**Compartment 2 - Mc:**  
**Compartment 2 - Defrost factor (Ac):**  
**Compartment 2 - Built-in factor (Bc):**  
**Compartment 3:**  
**Compartment 3 - Compartment Volume (I):**  
**Compartment 3 - Recommended temperature setting for optimised food storage (°C):**  
**Compartment 3 - Freezing capacity (kg/24h):**  
**Compartment 3 - Defrosting type:**  
**Compartment 3 - Target temperature (°C):**  
**Compartment 3 - Thermodynamic parameter (rc):**  
**Compartment 3 - Nc:**  
**Compartment 3 - Mc:**  
**Compartment 3 - Defrost factor (Ac):**  
**Compartment 3 - Built-in factor (Bc):**  
**Compartment 4:**  
**Compartment 4 - Compartment Volume (I):**  
**Compartment 4 - Recommended temperature setting for optimised food storage (°C):**  
**Compartment 4 - Freezing capacity (kg/24h):**  
**Compartment 4 - Defrosting type:**  
**Compartment 4 - Target temperature (°C):**  
**Compartment 4 - Thermodynamic parameter (rc):**  
**Compartment 4 - Nc:**  
**Compartment 4 - Mc:**  
**Compartment 4 - Defrost factor (Ac):**  
**Compartment 4 - Built-in factor (Bc):**  
**Compartment 5 - Type:**  
**Compartment 5 - Compartment Volume (I):**  
**Compartment 5 - Recommended temperature setting for optimised food storage (°C):**  
**Compartment 5 - Freezing capacity (kg/24h):**  
**Compartment 5 - Defrosting type:**  
**Compartment 5 - Target temperature (°C):**  
**Compartment 5 - Thermodynamic parameter (rc):**  
**Compartment 5 - Nc:**  
**Compartment 5 - Mc:**  
**Compartment 5 - Defrost factor (Ac):**  
**Compartment 5 - Built-in factor (Bc):**

**Light source parameters**

**Light source - Type of light source:**  
**Light source - Energy efficiency class:**  
**Minimum duration of the guarantee offered by the manufacturer (b): 2 años**

**Additional information:**

Weblink to the manufacturer's website, where the information in point 4(a) Annex of Commission Regulation (EU) 2019/2019 (1) (b) is found:  
(a) as determined in accordance with Commission Delegated Regulation (EU) 2019/2015 (2).  
(b) changes to these items shall not be considered relevant for the purposes of point 4 of Article 4 of Regulation (EU) 2017/1369.  
(c) if the product database automatically generates the definitive content of this cell the supplier shall not enter these data.

(1) Commission Regulation (EU) 2019/2019 of 1 October 2019 laying down ecodesign requirements for refrigerating appliances pursuant to Directive 2009/125/EC of the European Parliament and of the Council and repealing Commission Regulation (EC) No 643/2009 (see page 187 of this Official Journal).(2)

(2) Commission Delegated Regulation (EU) 2019/2015 of 11 March 2019 supplementing Regulation (EU) 2017/1369 of the European Parliament and of the Council with regard to energy labelling of light sources and repealing Commission Delegated Regulation (EU) No 874/2012 (see page 68 of this Official Journal).



**CI3-350 FI NF SN-T**

**LABEL ENERGI**

